

MOON 150
MOON 170
Installation instructions



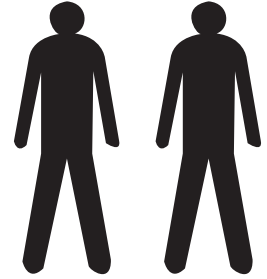
SIZE: 150*145 CM
SIZE: 170*145 CM

MOON 150 MOON 170 Installation instructions

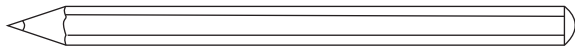
TOOLS REQUIRED(NOT SUPPLIED)

when you're ready to start,make sure that you have the following tools to hand,plenty of space and a clean dry area for assembly.

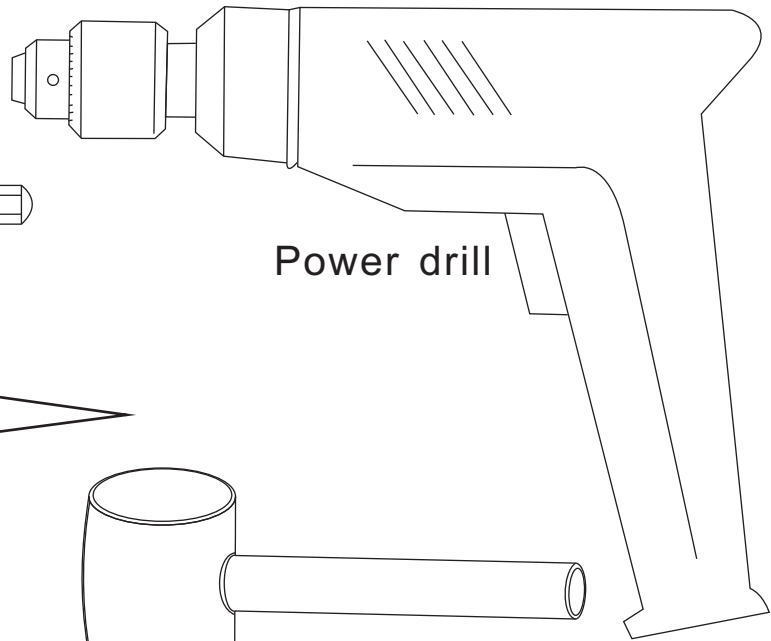
Two people are needed. Please note:although these instructions are comprehensive,We always recommend that a technically competent installer should undertake installation.



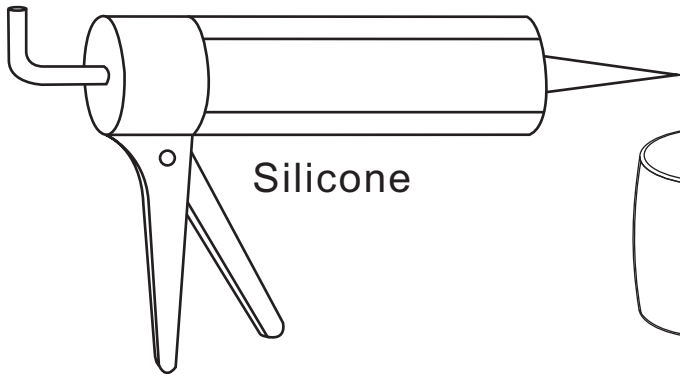
Drill bit for wall
5.5mm



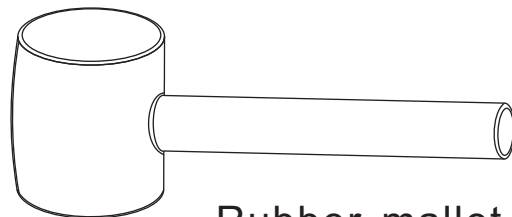
Pencil



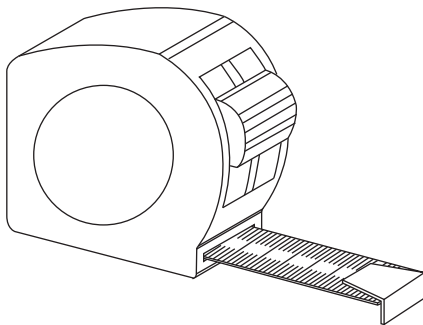
Power drill



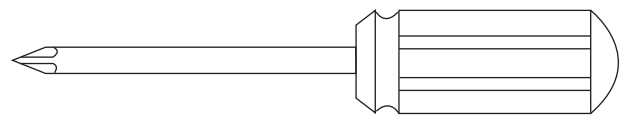
Silicone



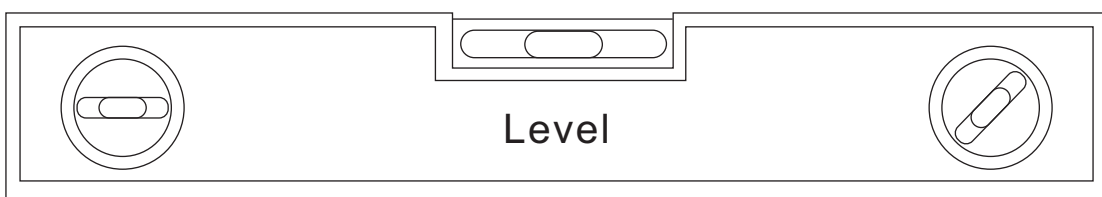
Rubber mallet



Tape measure

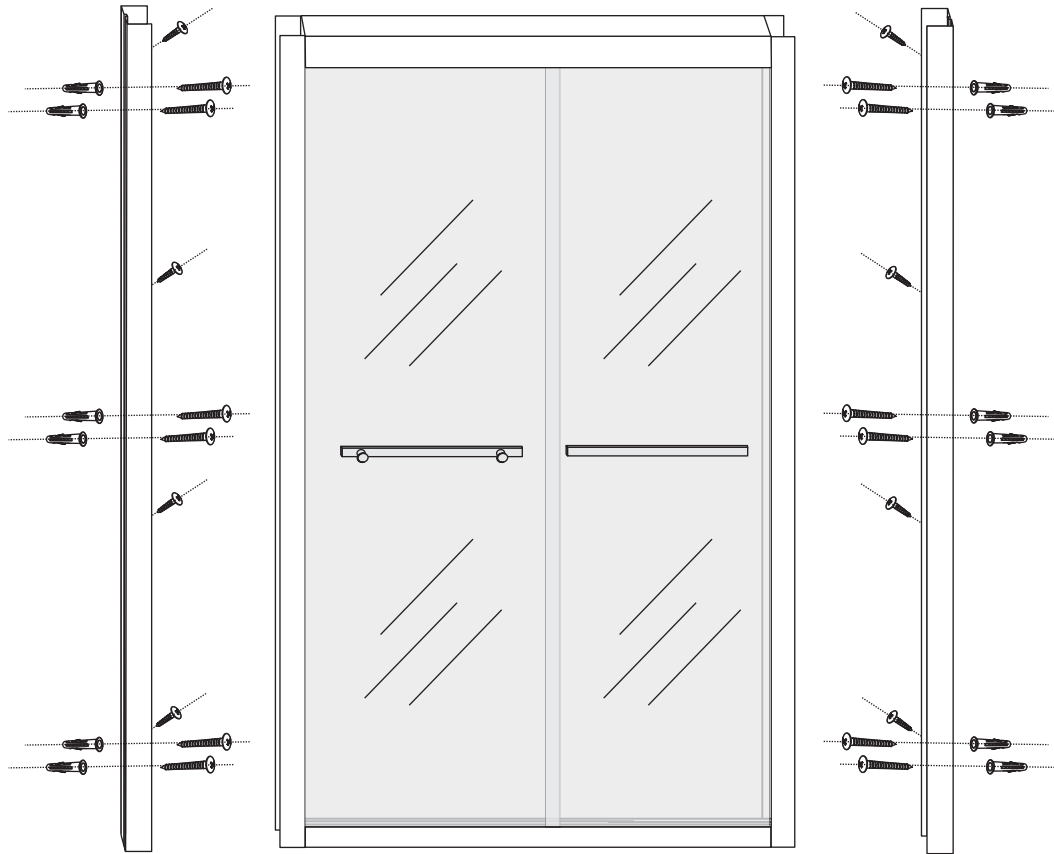


Magnetic crosshead screwdriver








Level

MOON 150 MOON 170 Installation instructions

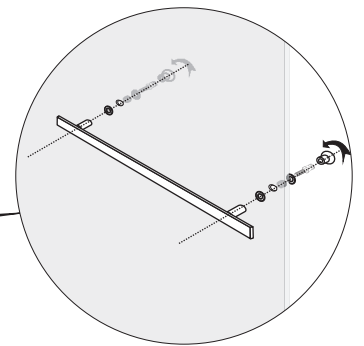
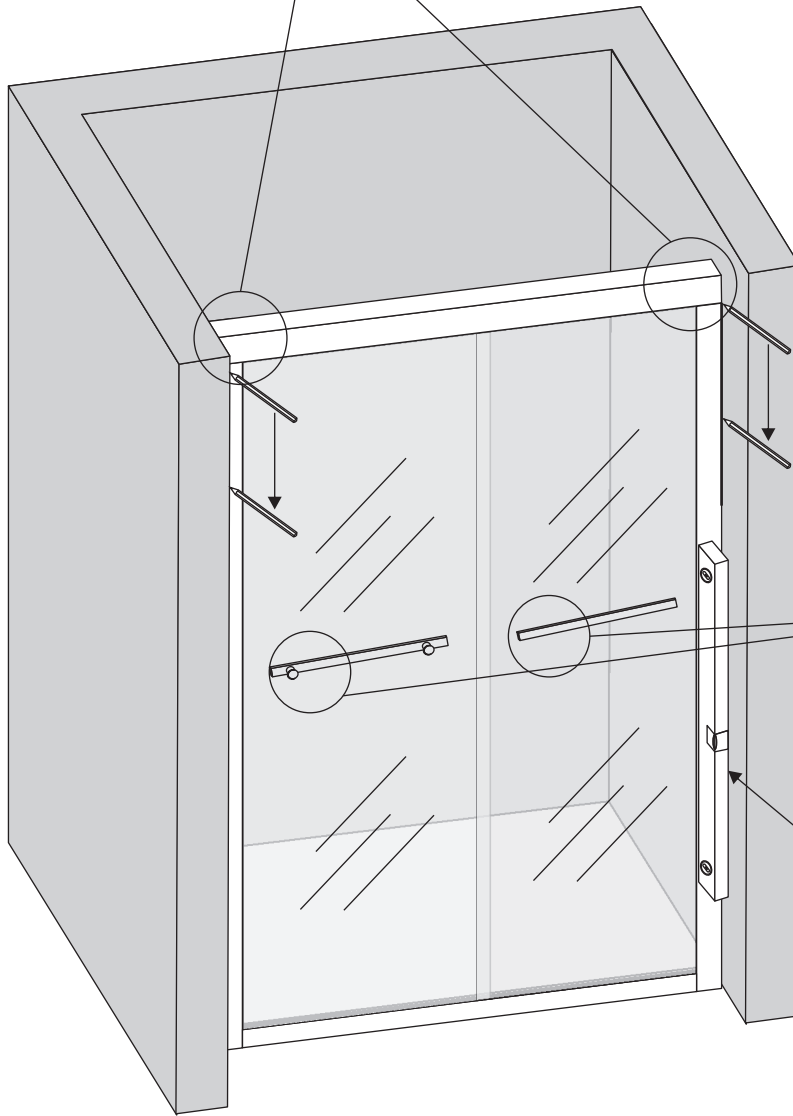
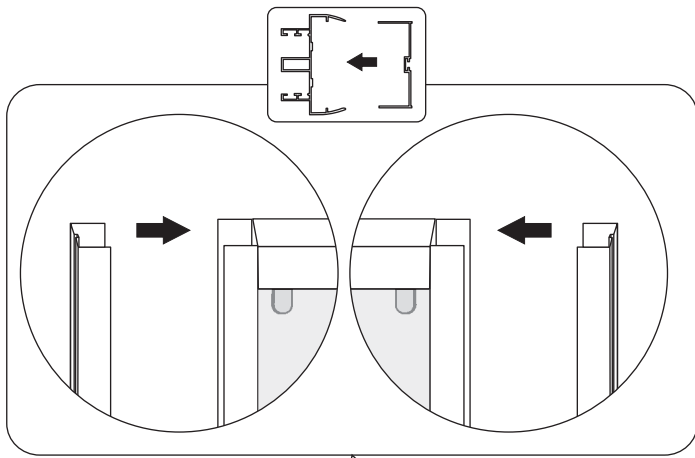


Fitting kit includes

Ref	Description	Qty
A	Bi-Fold door	1
B	Wall profile	2

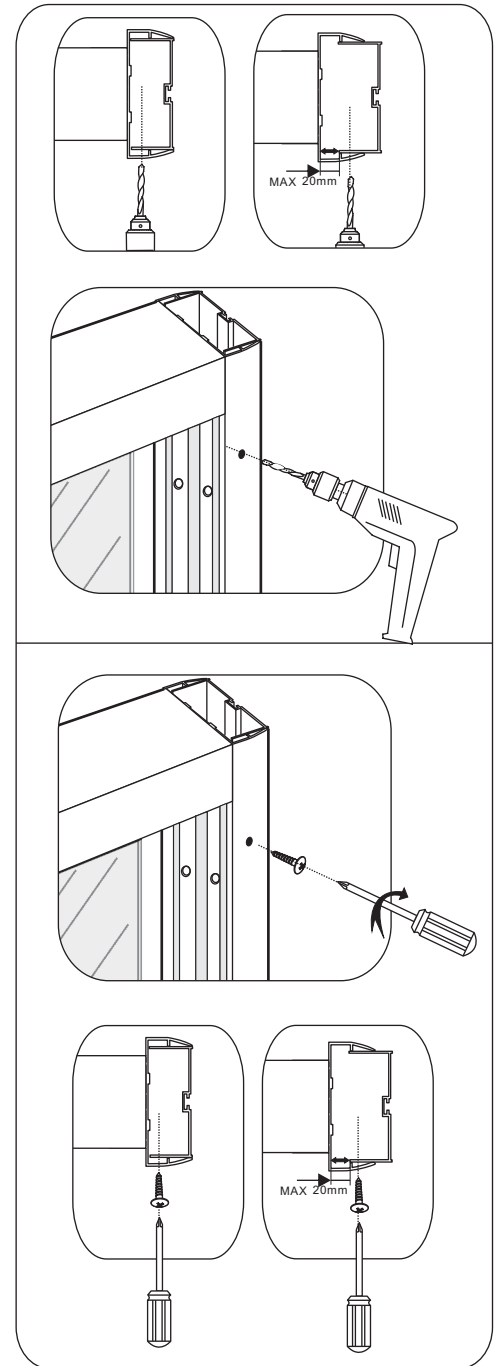
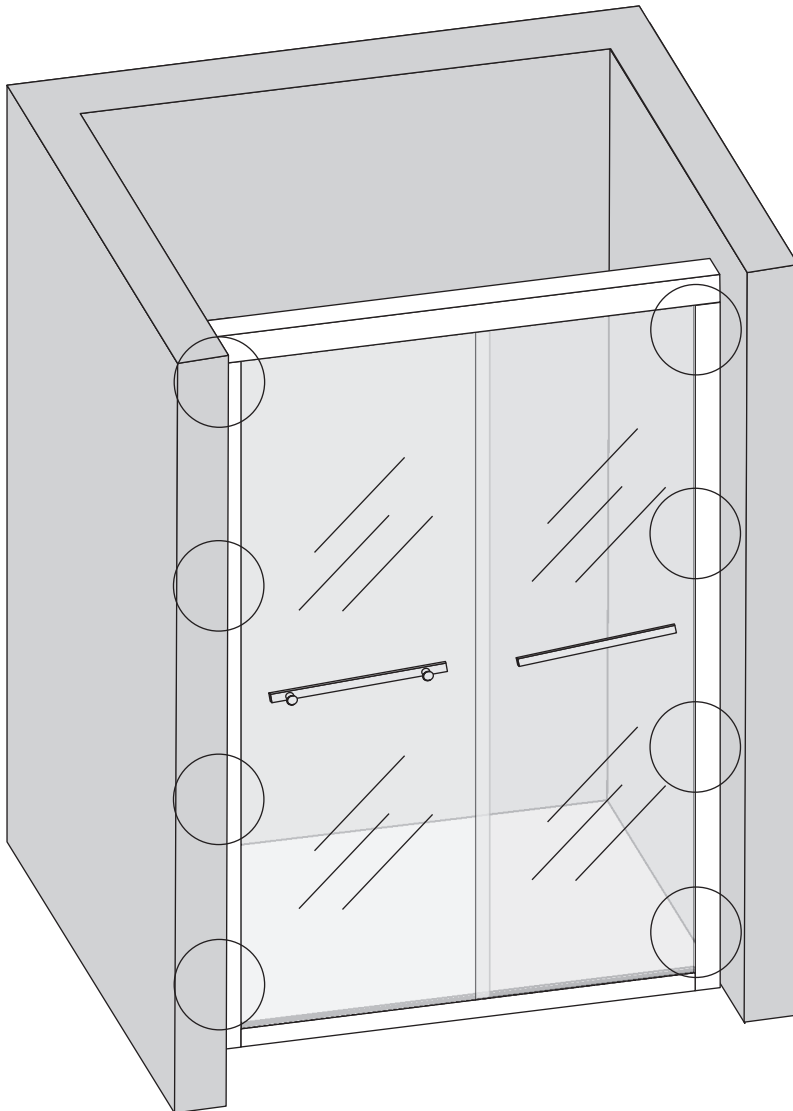
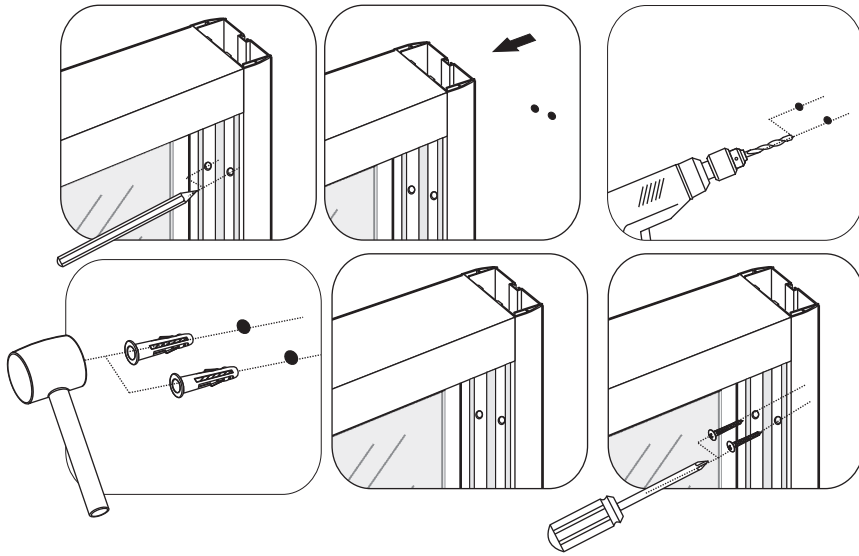
Ref	Description	Illustration	Qty
A2	Expendable wall plug		14
B2	Stainless steel screws 4x25		14
C2	Stainless steel screws 4x10		10
D2	Handle		2
E2	Drill bit 3mm		1

MOON 150 MOON 170 Installation instructions

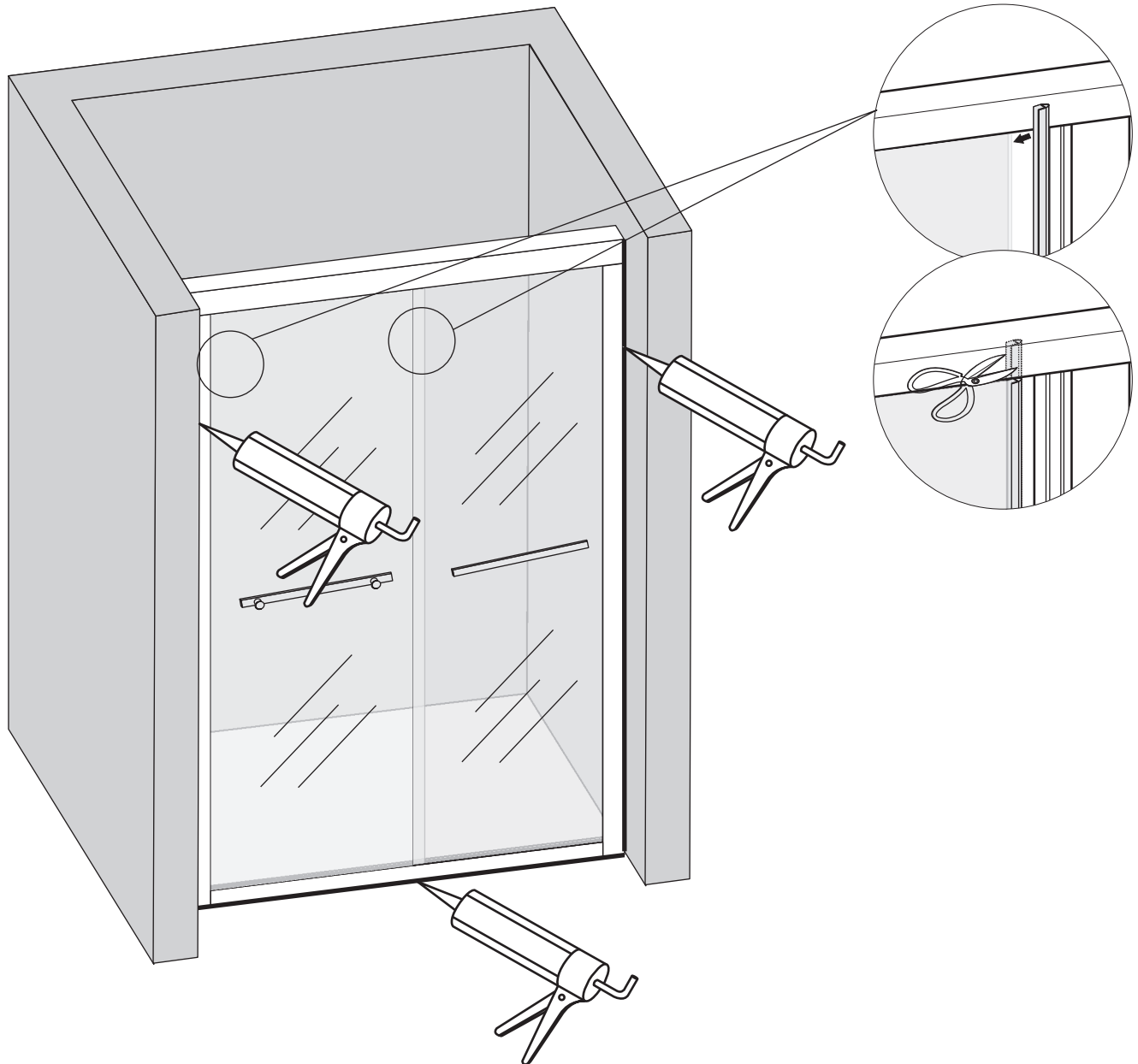


Level

MOON 150 MOON 170 Installation instructions



MOON 150 MOON 170 Installation instructions



Apply Sanitary Silicone Only.as
Shown Above To The Joints And
Exterior Of The Cabin.do Not
Apply Silicone Sealant To The
Inside Of The Enclosure.