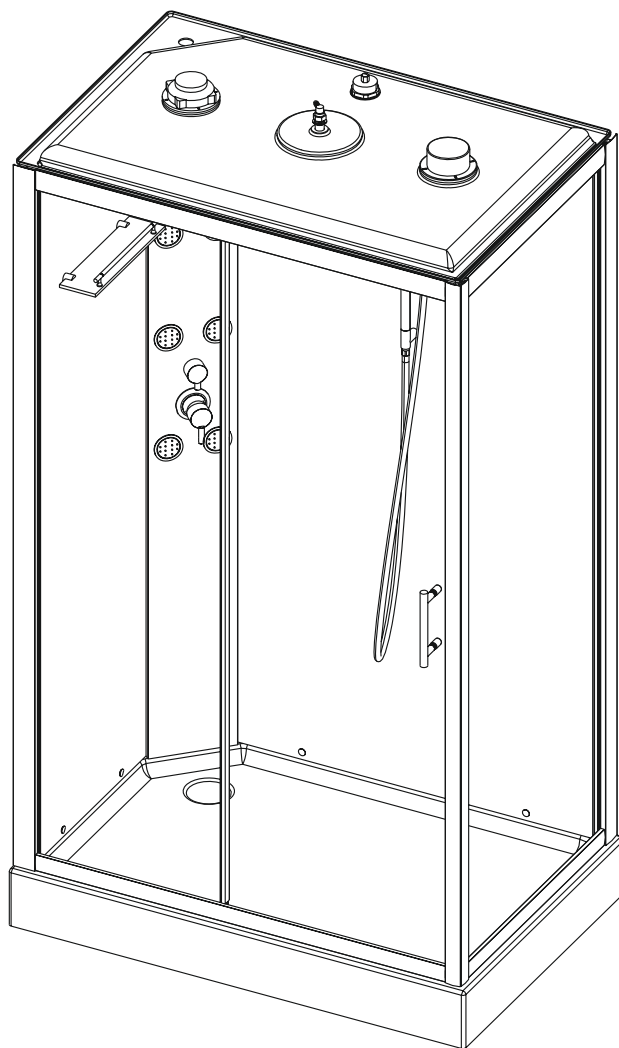


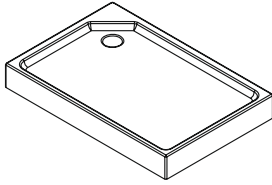
Bandh**o**urs

# OMEGA-3



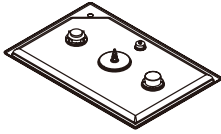
OMEGA-3 L/R 100X80X217CM

**Package 1**



[04] x 1

**Package 2**



[01] x 1

**Package 3**



[09] x 1



[15c] x 1



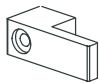
[15a] x 1



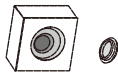
[15b] x 1



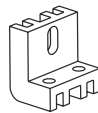
[17d] x 3



[11a] x 4



[11b] x 2



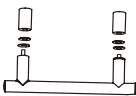
[12] x 8



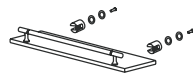
[13a] x 2



[13b] x 2



[14] x 1



[16] x 1



ST4X12mm

[18a] x 6



ST4X10mm

[18b] x 2



ST4X20mm

[18c] x 16



M4X25mm

[18d] x 16



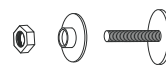
ST4X14mm

[19a] x 10



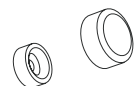
M4X20mm

[19b] x 10



M5X20mm

[19c] x 8

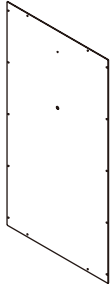


[20] x 4

Package 4



[08] x 1



[10] x 1

Package 5



[06] x 1



[07] x 1



[23] x 1



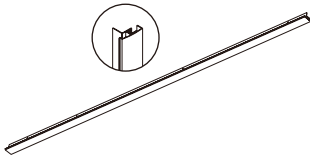
[05a] x 1



[05b] x 1



[21] x 1



[22] x 1



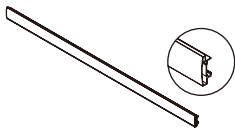
[17b] x 1



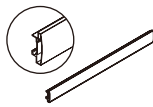
[17c] x 1



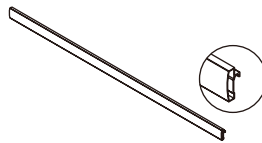
[17a] x 1



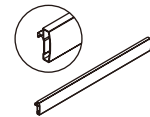
[02a] x 1



[02b] x 1



[03a] x 1



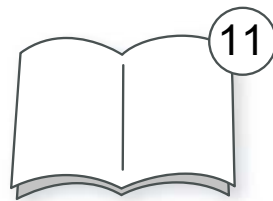
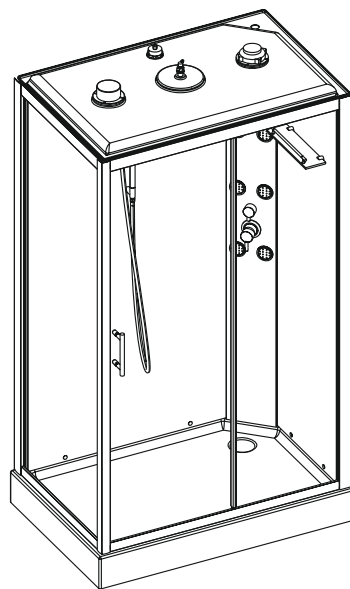
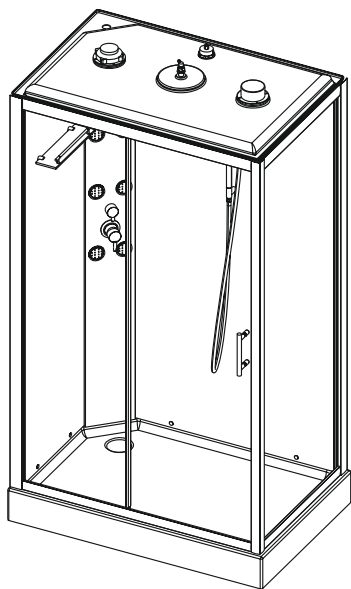
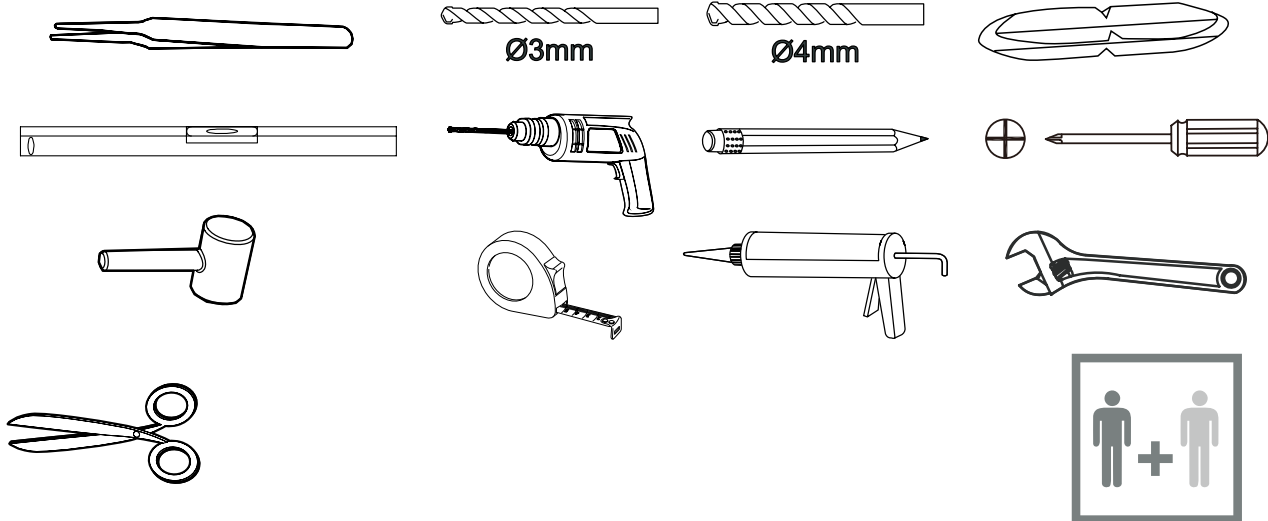
[03b] x 1



[17f] x 1

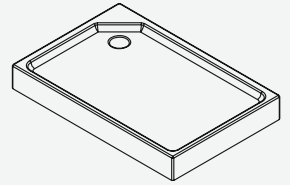


[17e] x 1

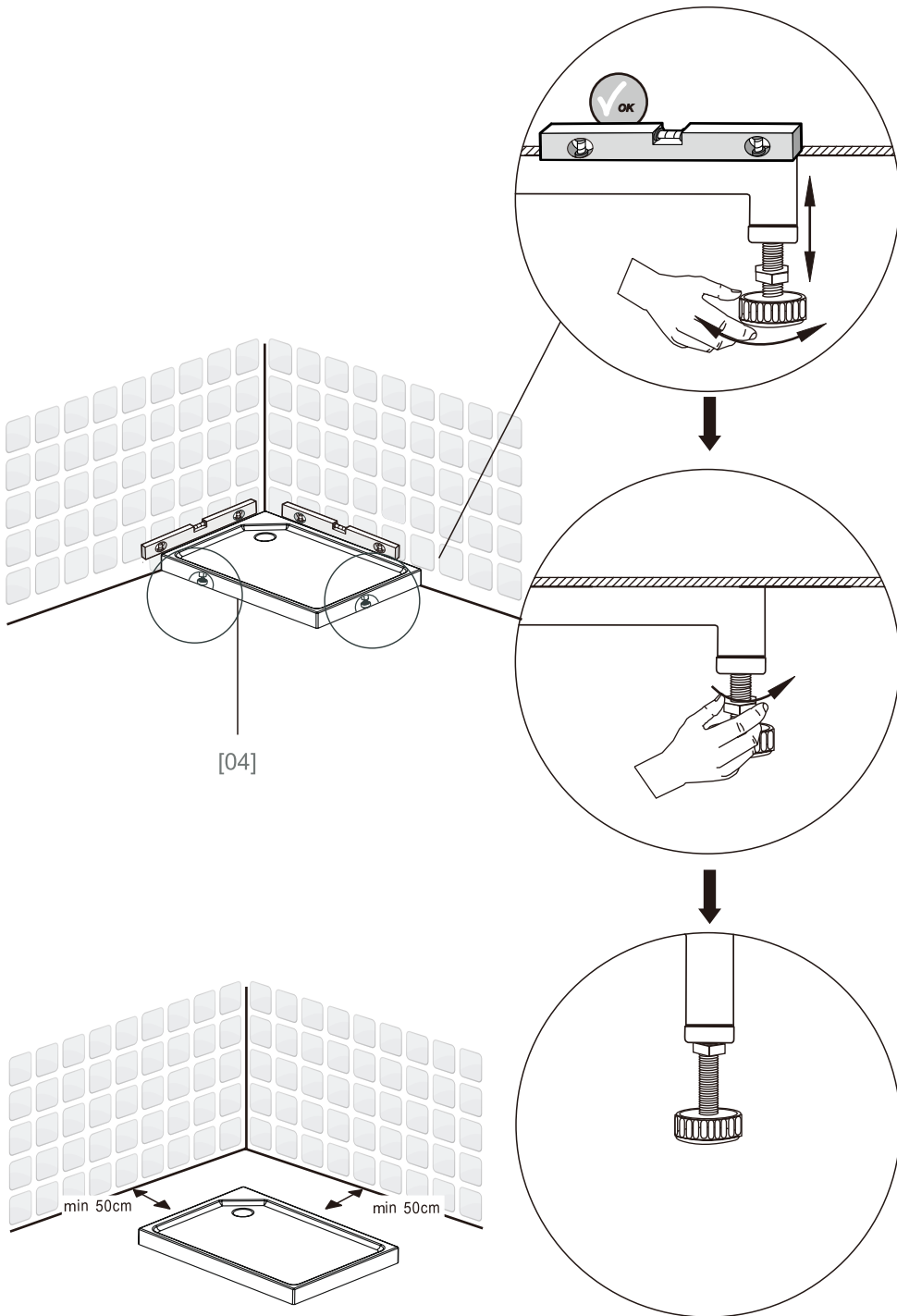




01



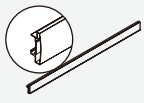
[04] x 1



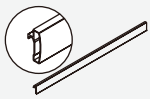
# 02



[23] x 1



[02b] x 1



[03b] x 1



[05b] x 1



[22] x 1

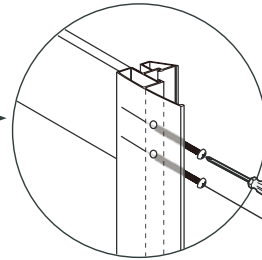
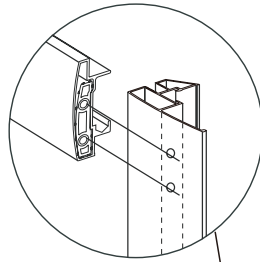


M4X25mm

[18d] x 8



[17d] x 2



[18d]

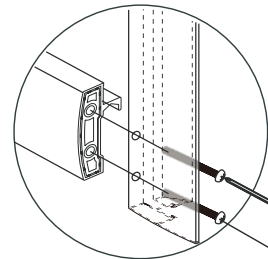
[02b]



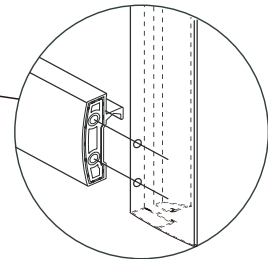
[10]

[22]

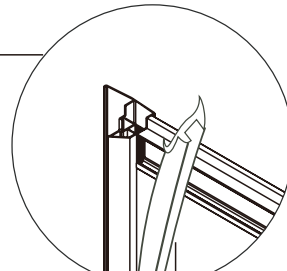
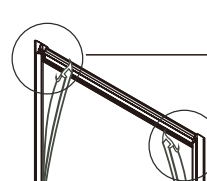
[05b]



[18d]



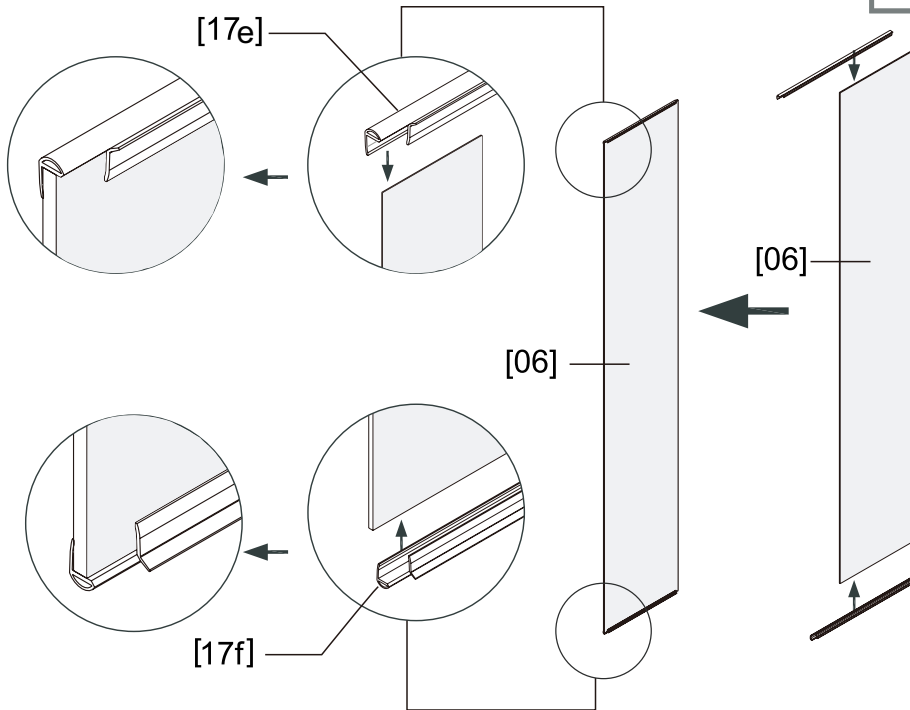
[03b]



[17d]



### 03



[06] x 1

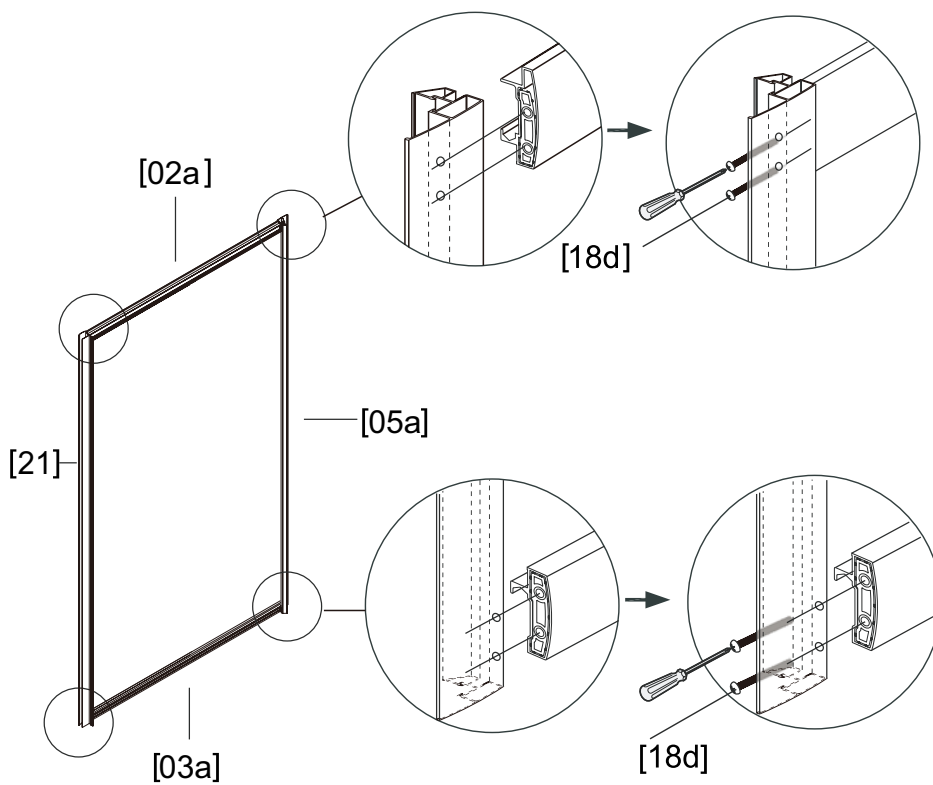


[17e] x 1



[17f] x 1

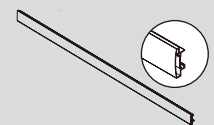
### 04



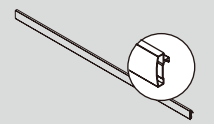
[05a] x 1



[21] x 1



[02a] x 1



[03a] x 1



M4X25mm

[18d] x 8

# 05



[06] x 1



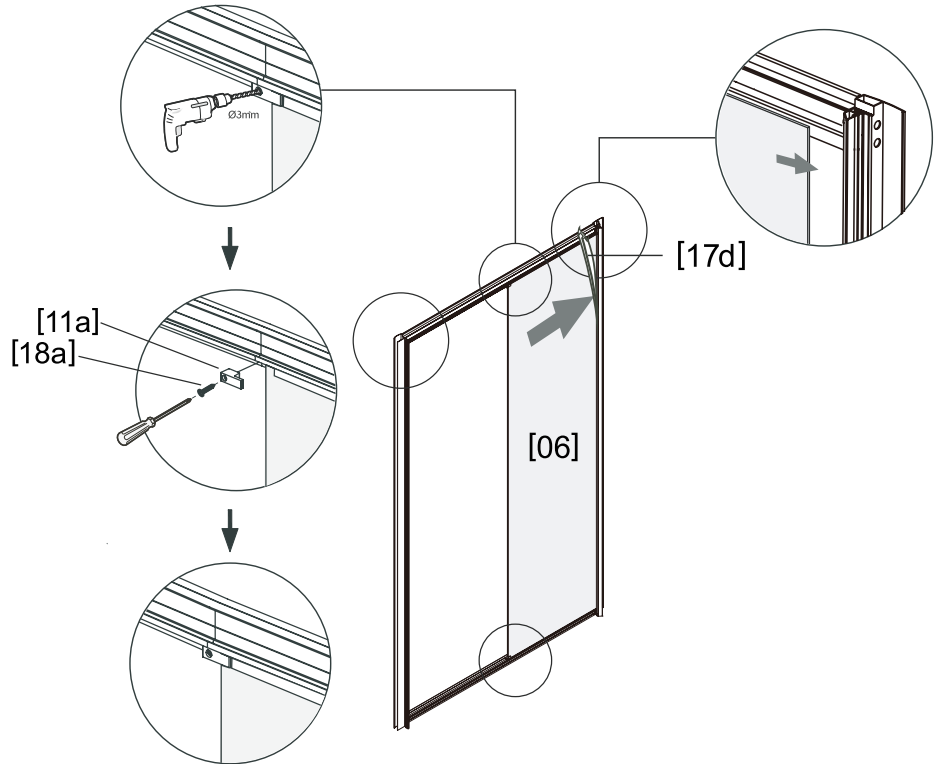
[11a] x 2



ST4X12mm  
[18a] x 2



[17d] x 1



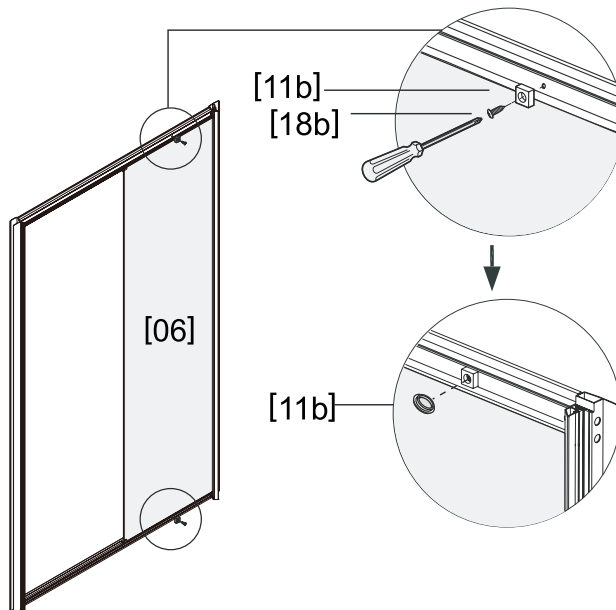
# 06



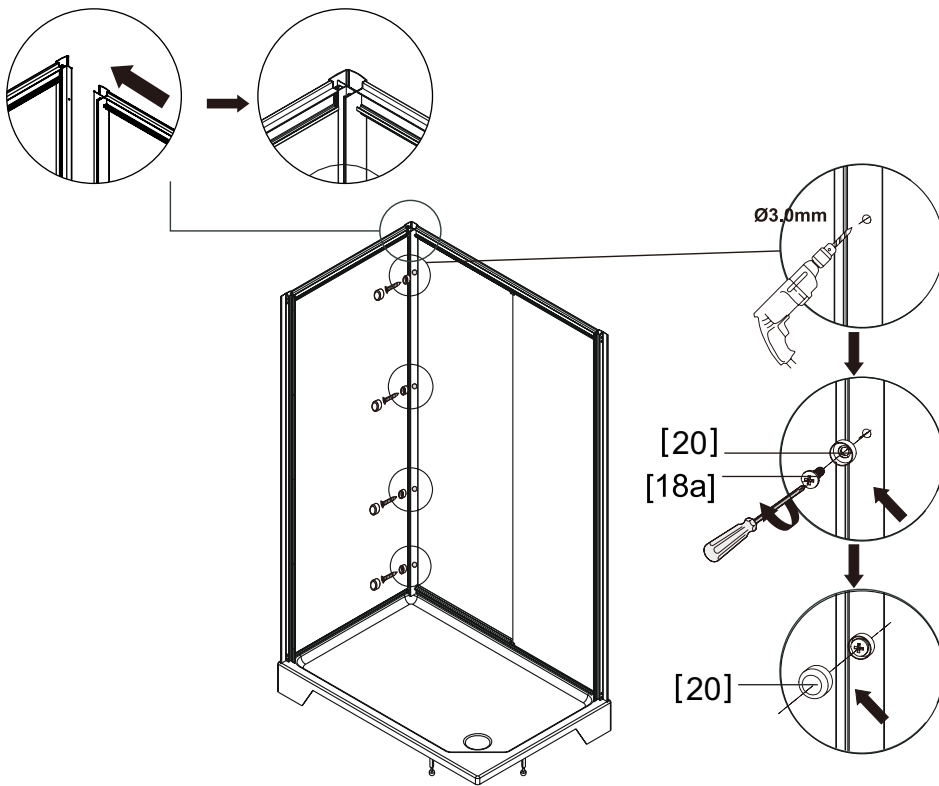
[11b] x 2



ST4X10mm  
[18b] x 2







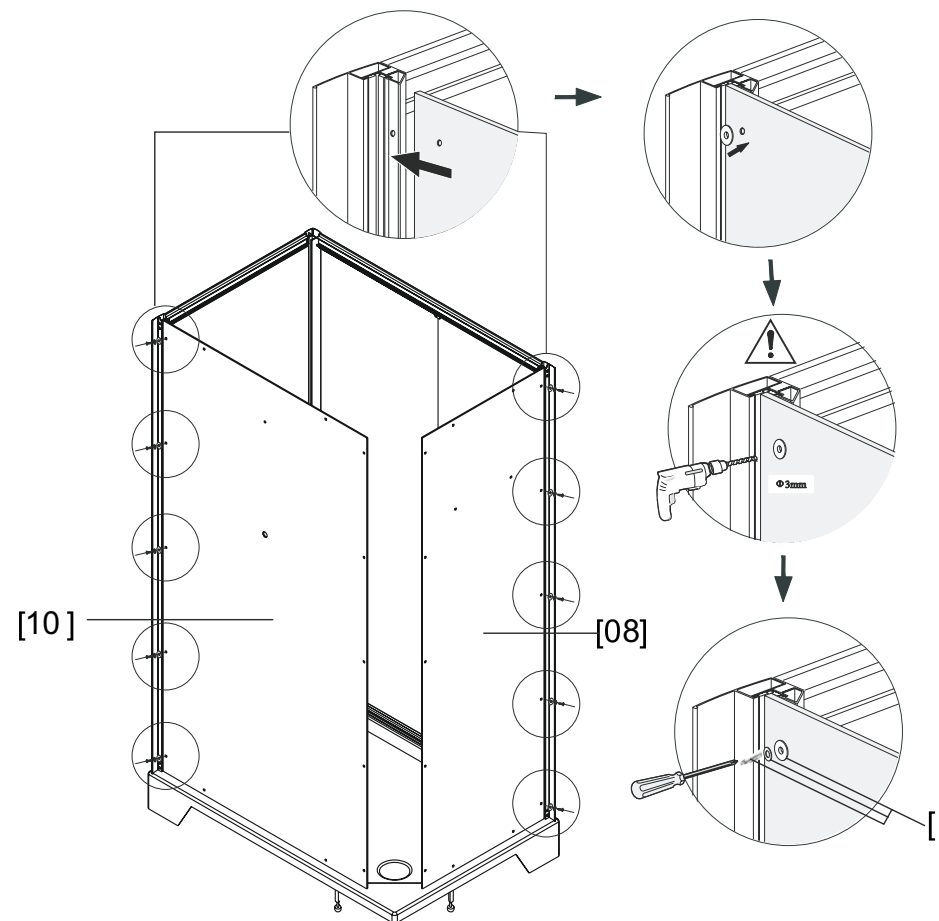
**07**



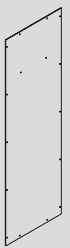
ST4X12mm  
[18a] x 4



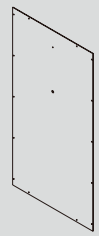
[20] x 4



**08**



[08] x 1



[10] x 1



ST4X14mm  
[19a] x 10

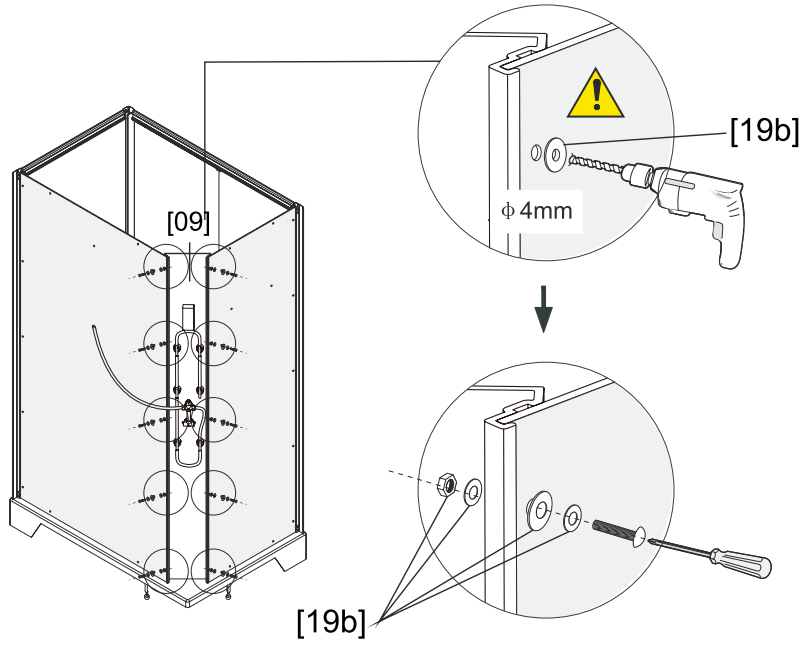
# 09



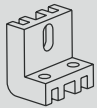
M4X20mm  
[19b] x 10



[09] x 1



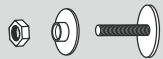
# 10



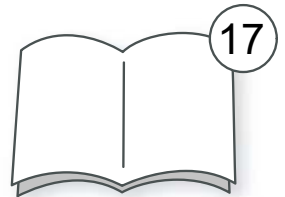
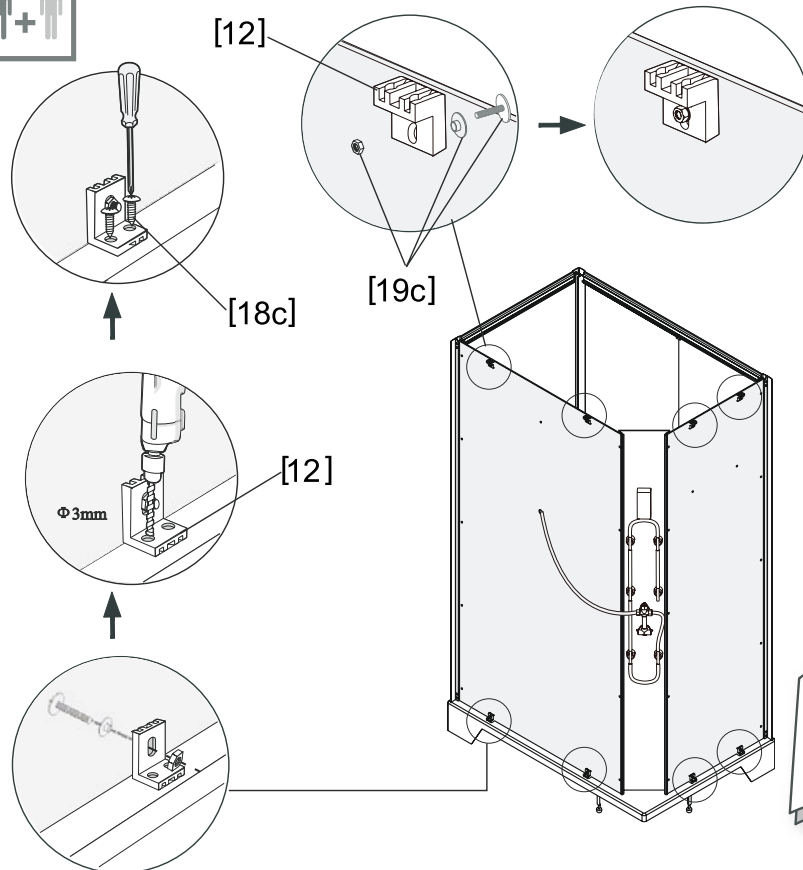
[12] x 8



ST4X20mm  
[18c] x 8

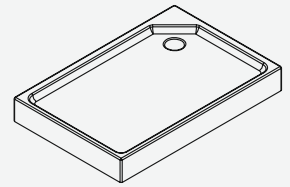


M5X20mm  
[19c] x 8

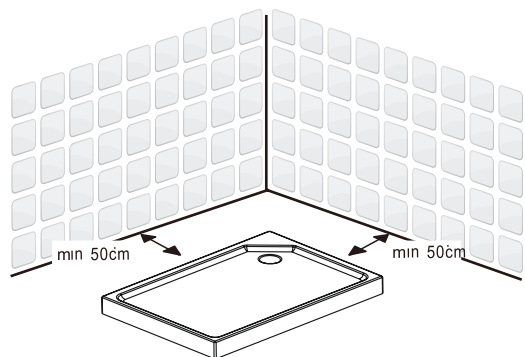
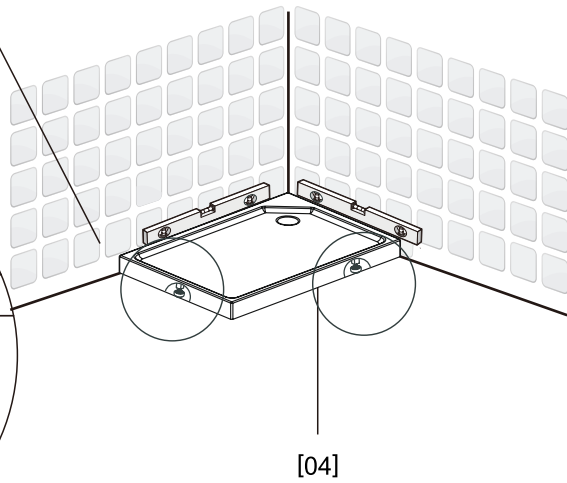
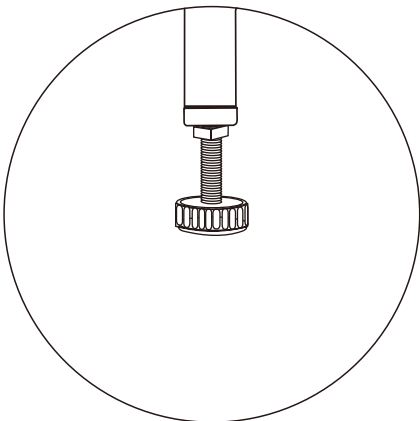
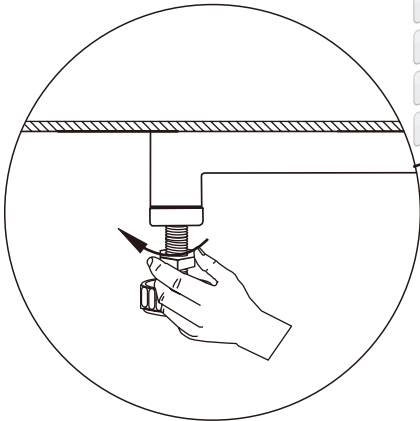
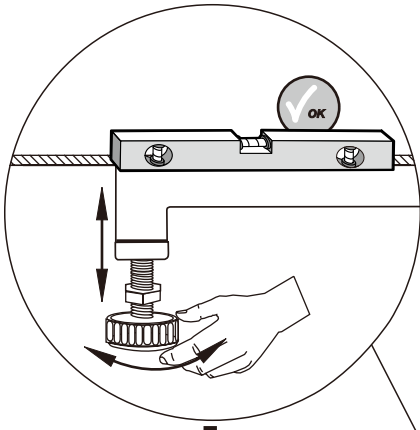




11



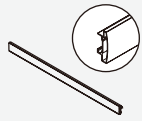
[04] x 1



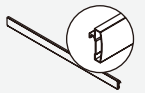
12



[10] x 1



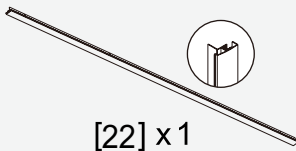
[02b] x 1



[03b] x 1



[05a] x 1



[22] x 1

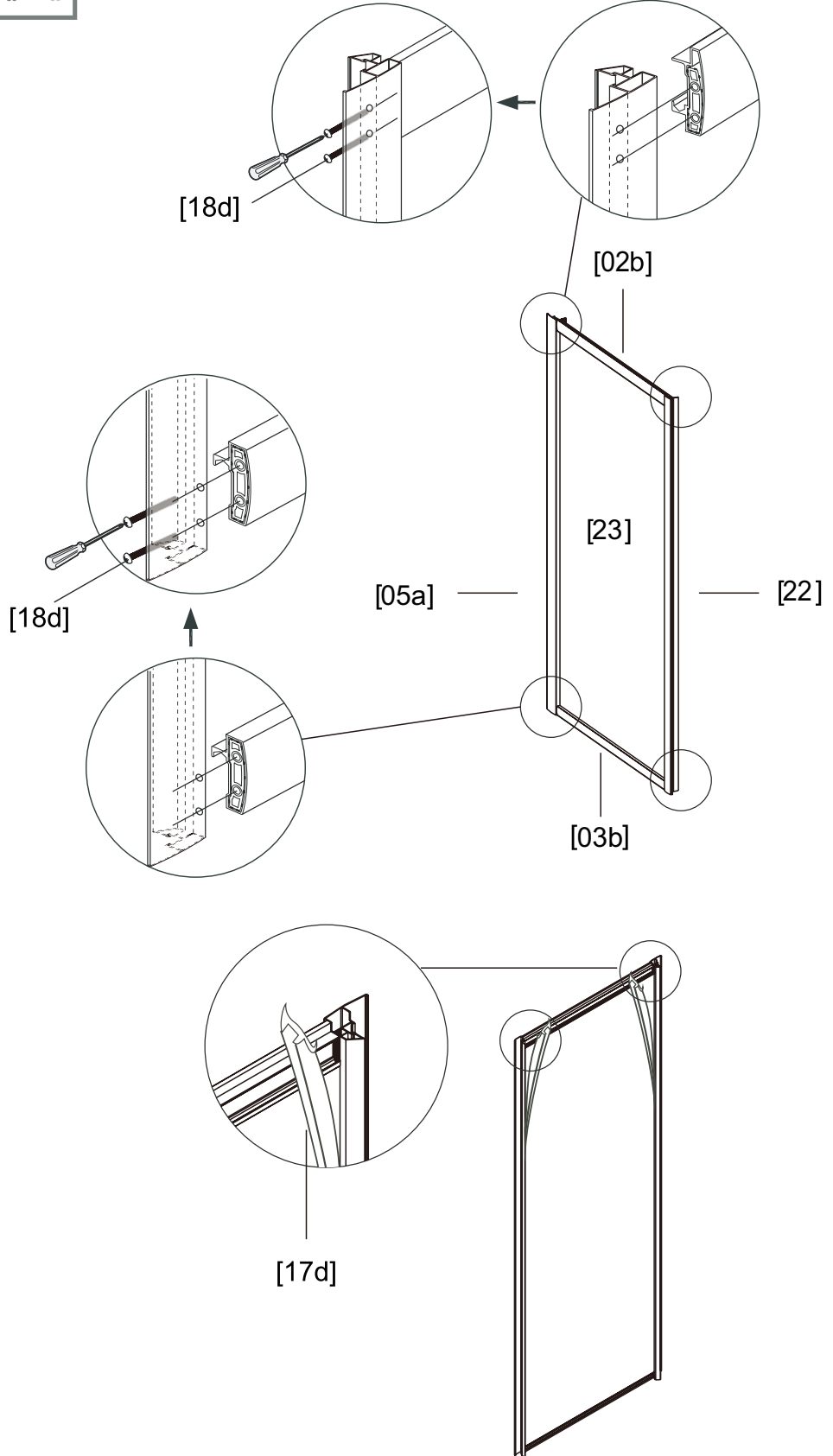


M4X25mm

[18d] x 8

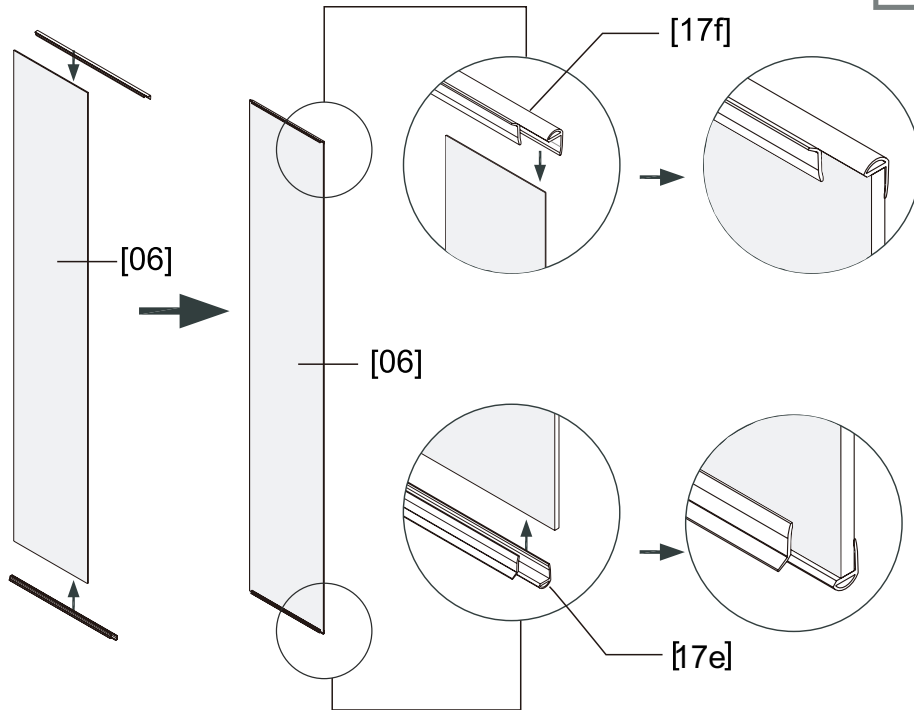


[17d] x 2





### 13



[06] x 1

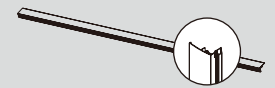
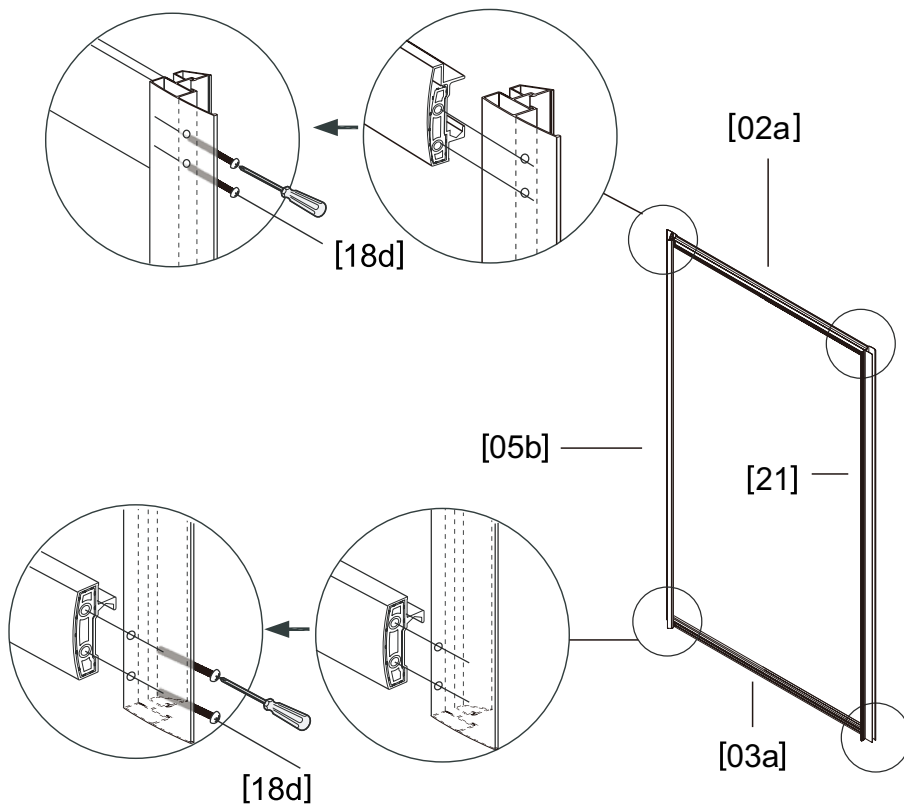


[17f] x 1



[17e] x 1

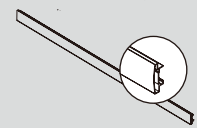
### 14



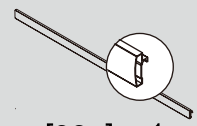
[05b] x 1



[21] x 1



[02a] x 1



[03a] x 1



M4X25mm

[18d] x 8

# 15



[06] x 1



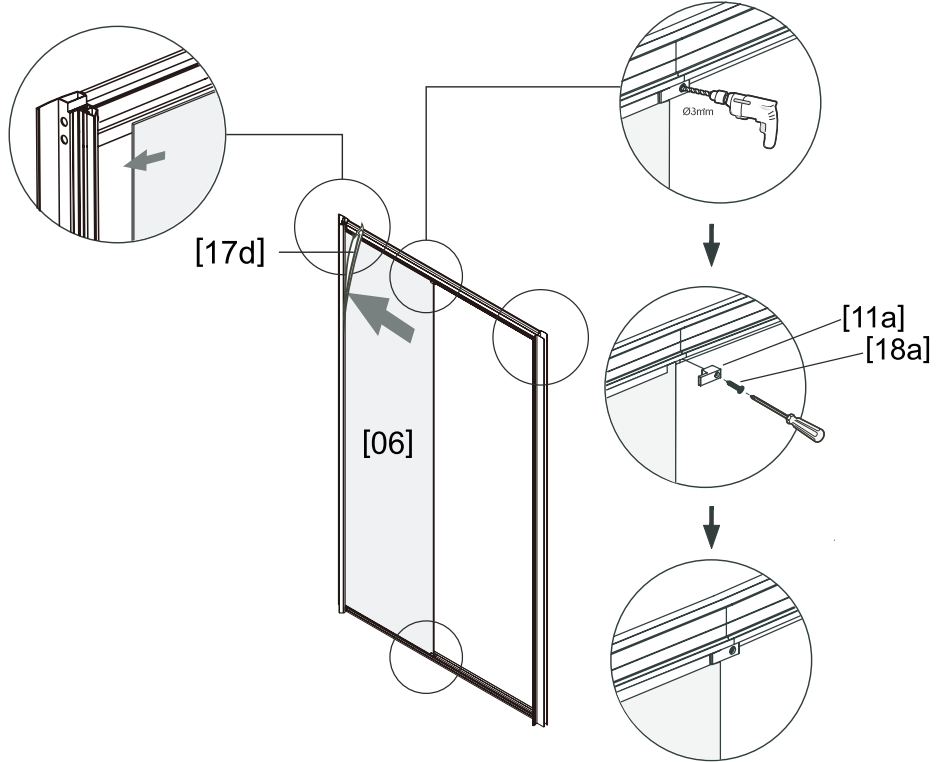
[11a] x 2



ST4X12mm  
[18a] x 2



[17d] x 1



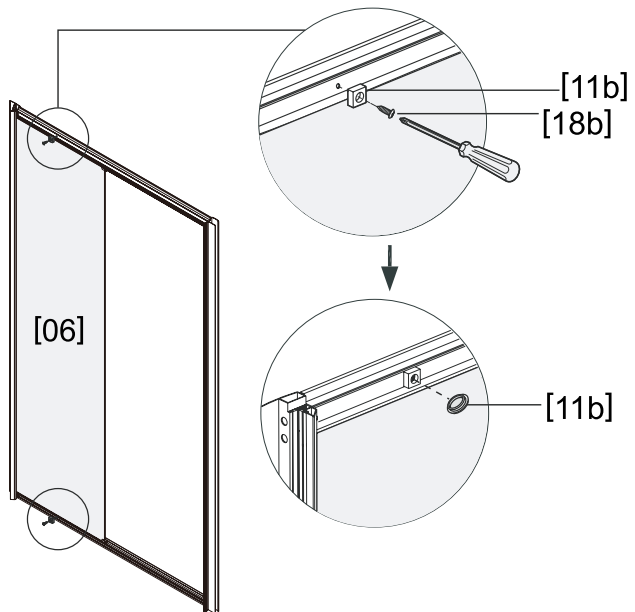
# 16



[11b] x 2

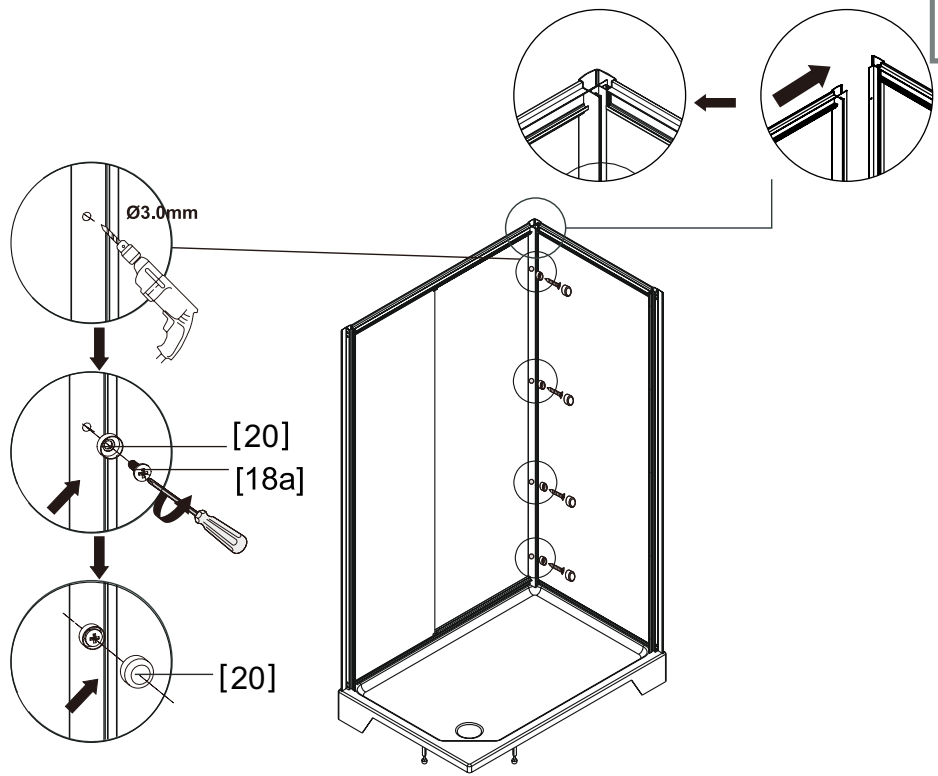


ST4X10mm  
[18b] x 2

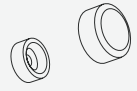




17



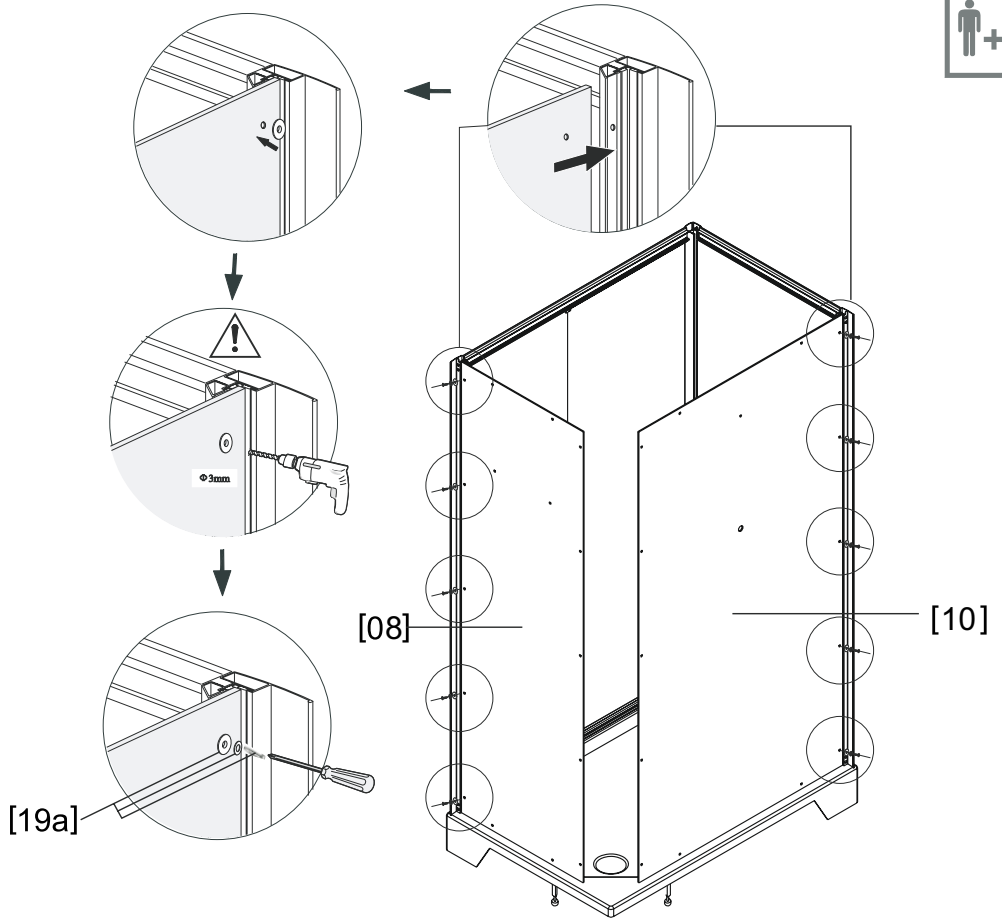
ST4X12mm  
[18a] x 4



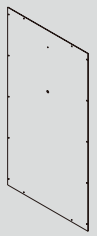
[20] x 4



18



[08] x 1



[10] x 1



ST4X14mm  
[19a] x 10

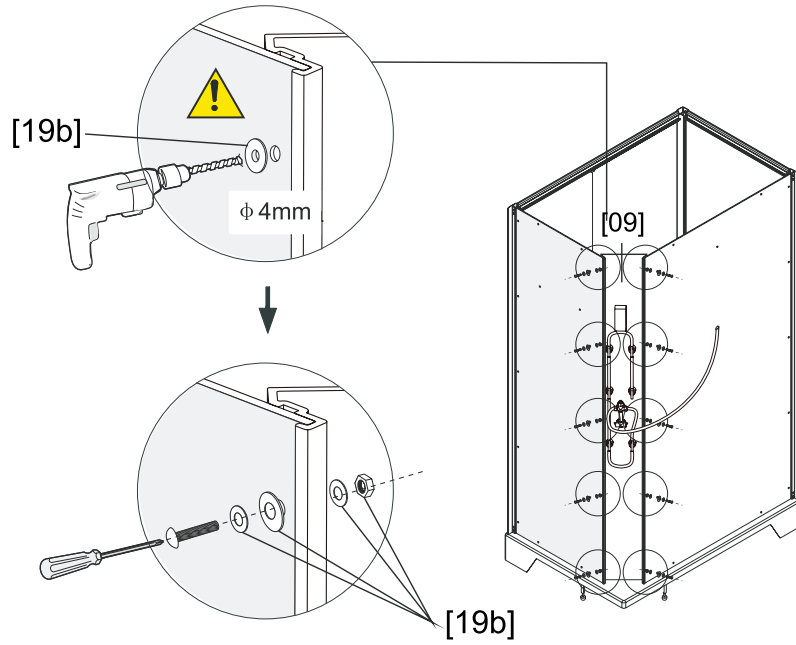
# 19



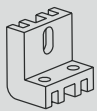
M4X20mm  
[19b] x 10



[09] x 1



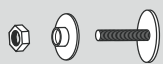
# 20



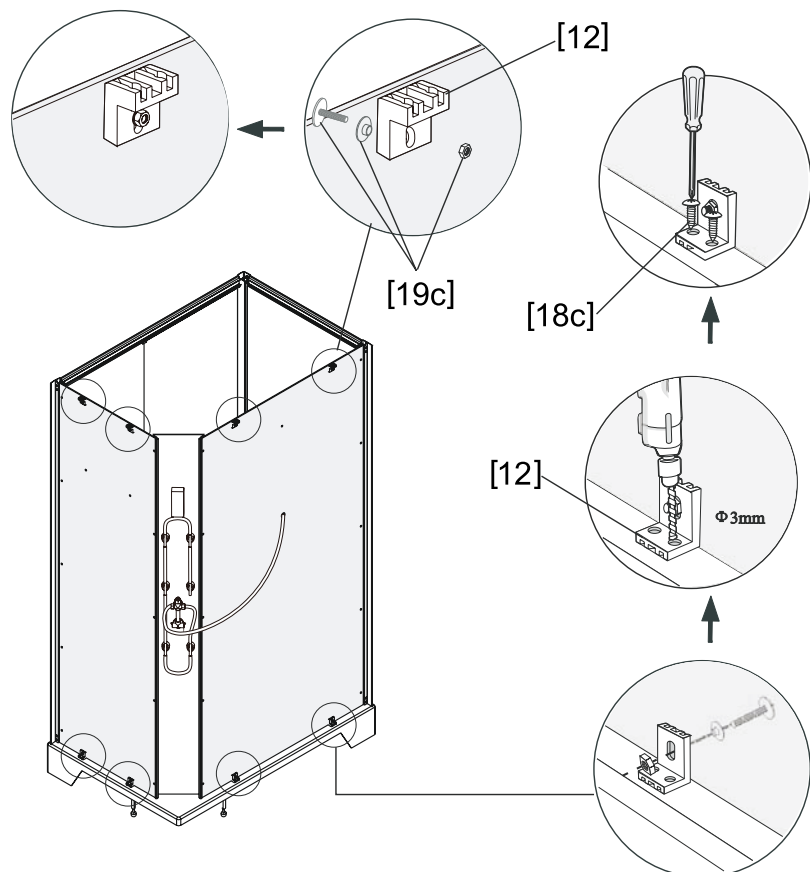
[12] x 8



ST4X20mm  
[18c] x 8



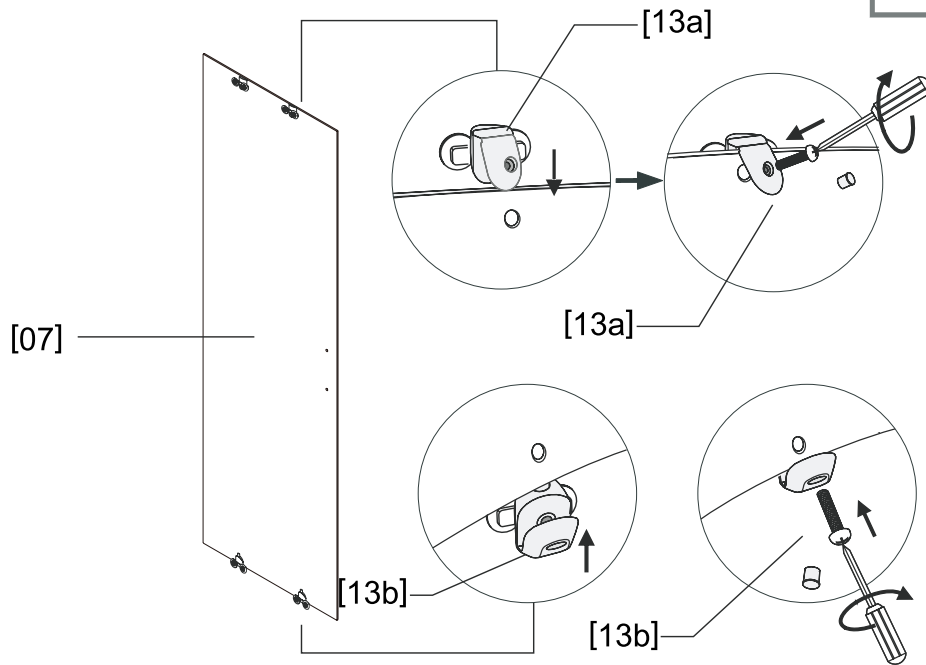
M5X20mm  
[19c] x 8







21



[07] x1



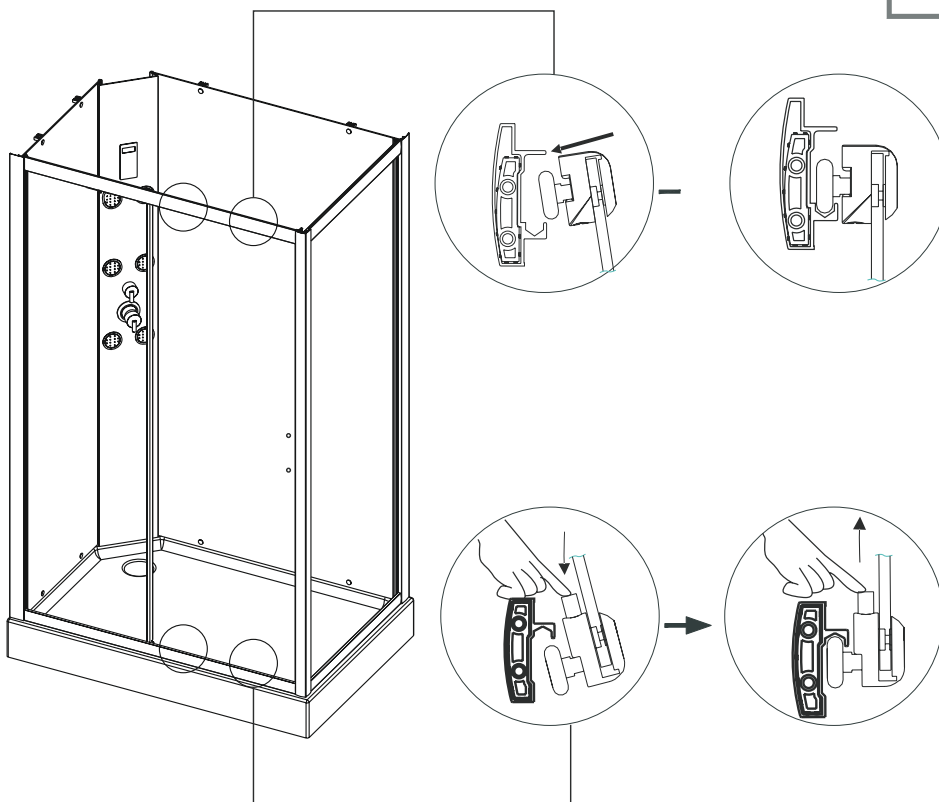
[13a] x2



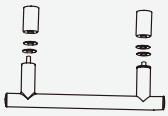
[13b] x2



22



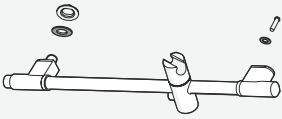
# 23



[14] x 1



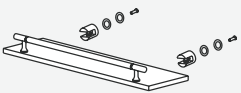
[15a] x 1



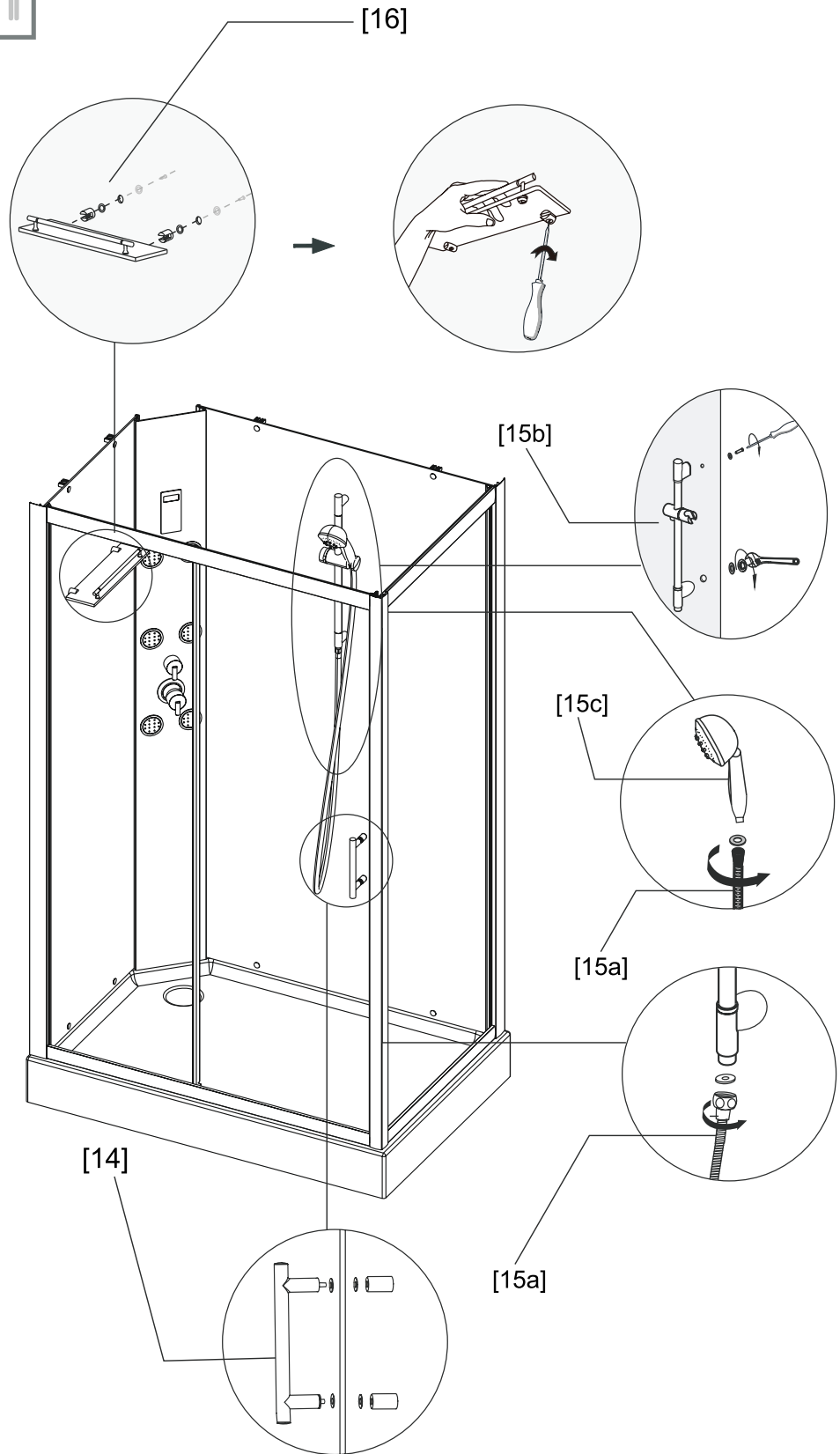
[15b] x 1

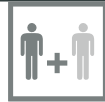


[15c] x 1

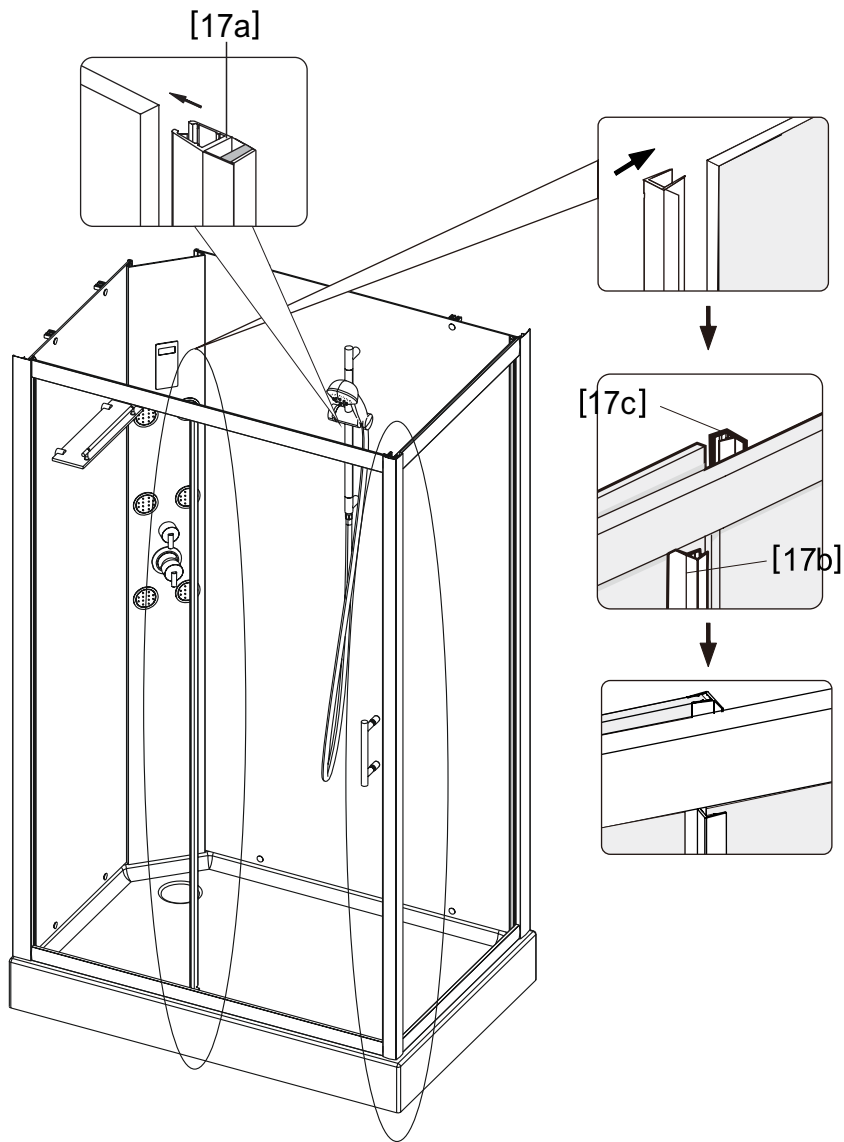


[16] x 1





24



[17b] x 1



[17c] x 1

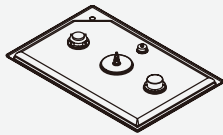


[17a] x 2

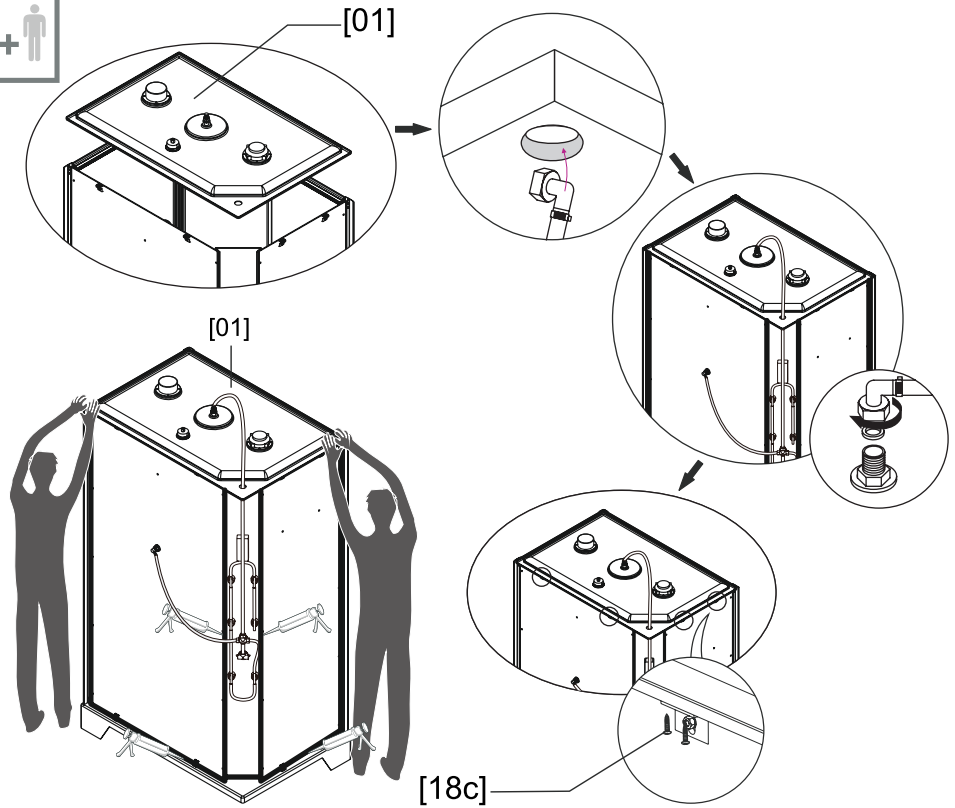
25



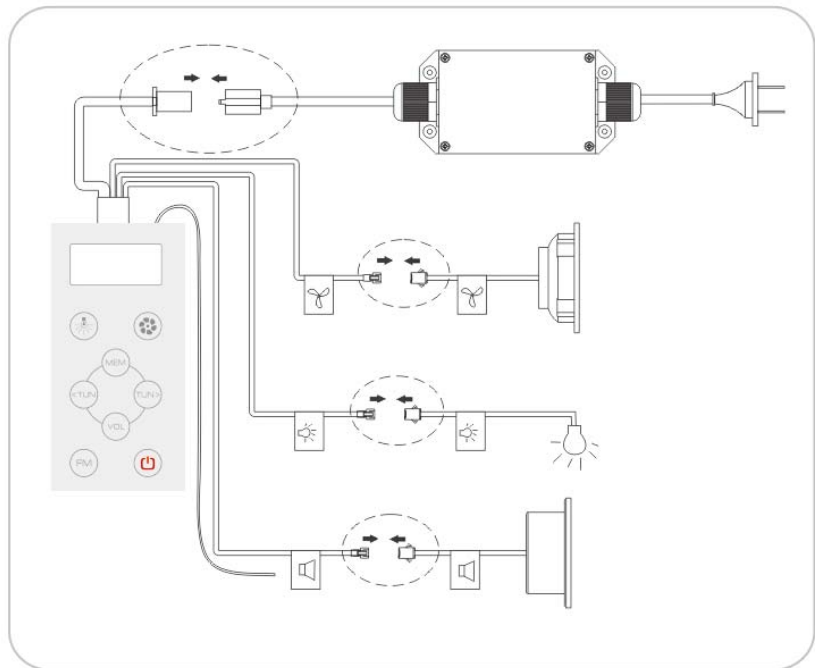
ST4X20mm  
[18c] x 8



[01] x 1

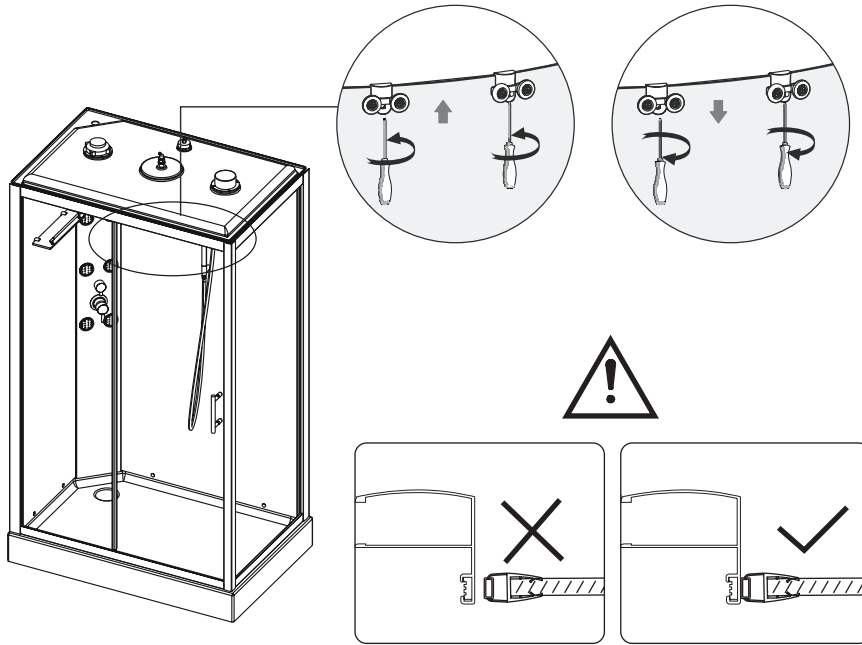


26

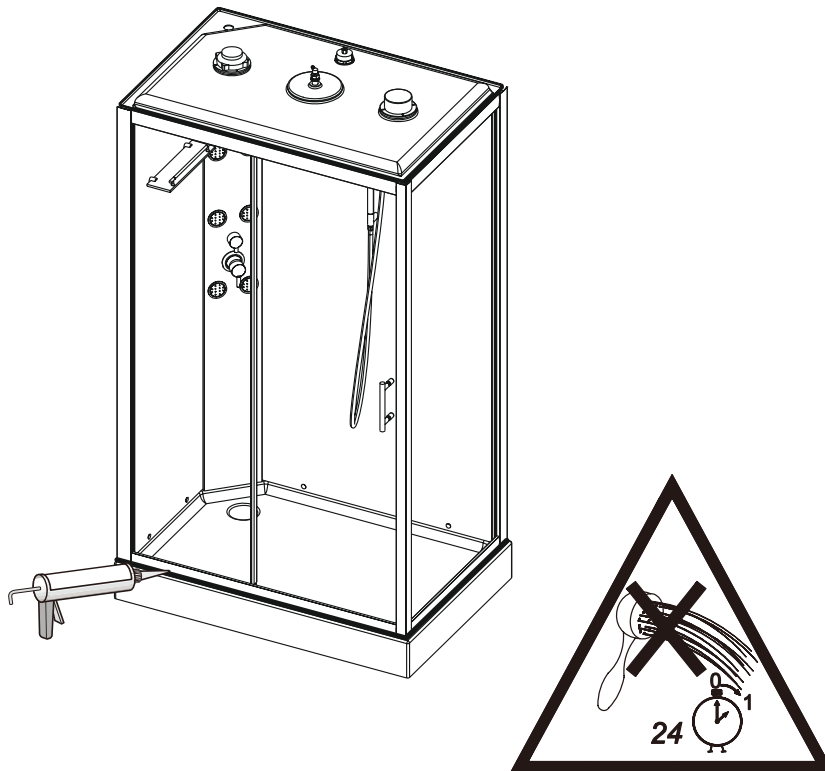




27



28





ON/OFF



3" ➡ 87.5MHZ~108.0MHZ ▷



3" ➡ 108.0MHZ~87.5MHZ ◁



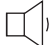




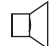
3" ➡  01~18



1" ➡  01~18



➡  ➡  ➡ 

➡  ➡  ➡ 



➡  ➡ 