

SMART

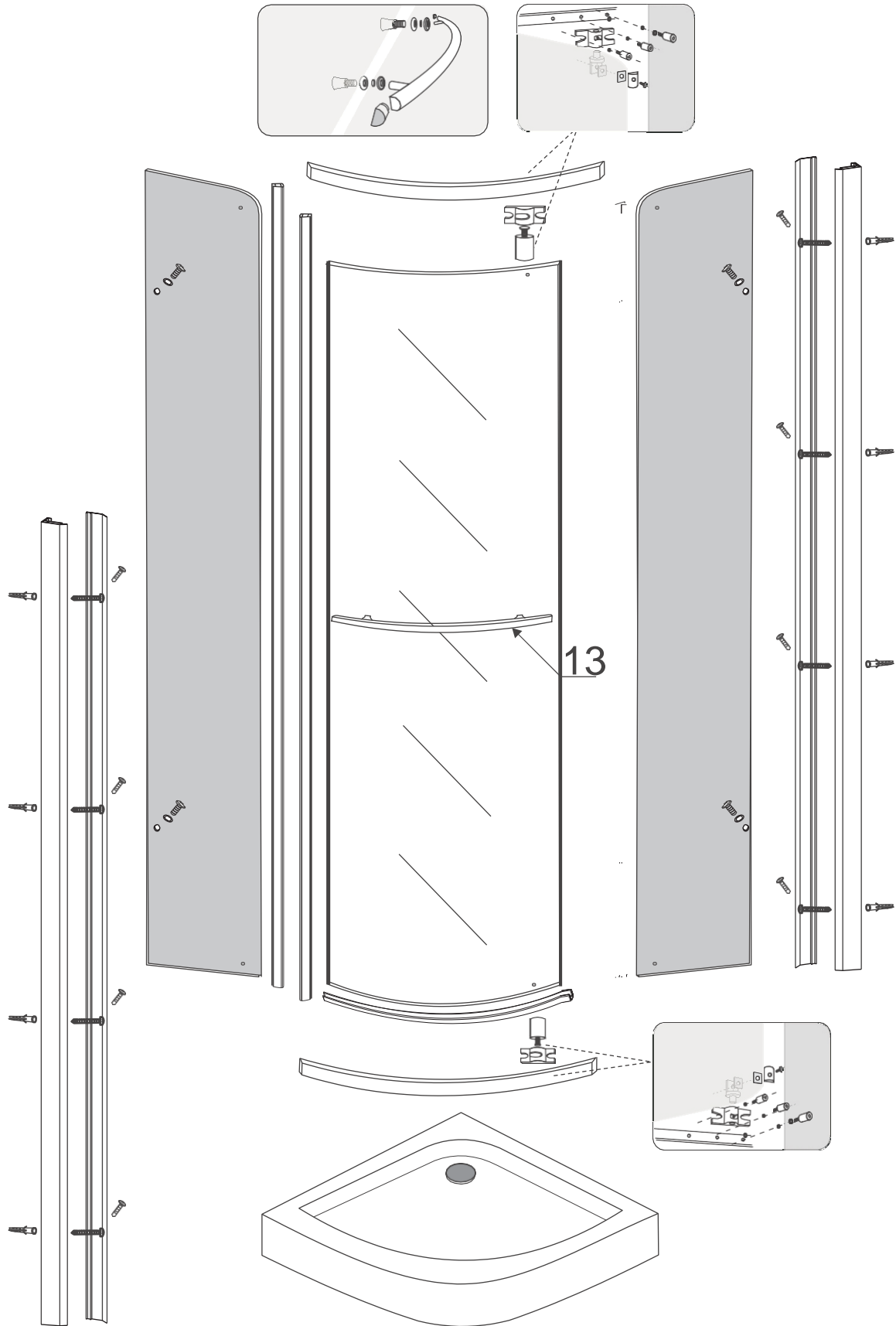
Installation instructions



SIZE : 90*90*210CM

SMART

Installation instructions



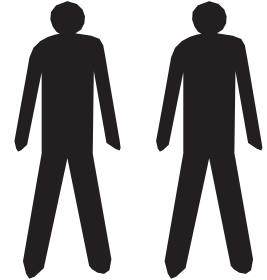
SMART

Installation instructions

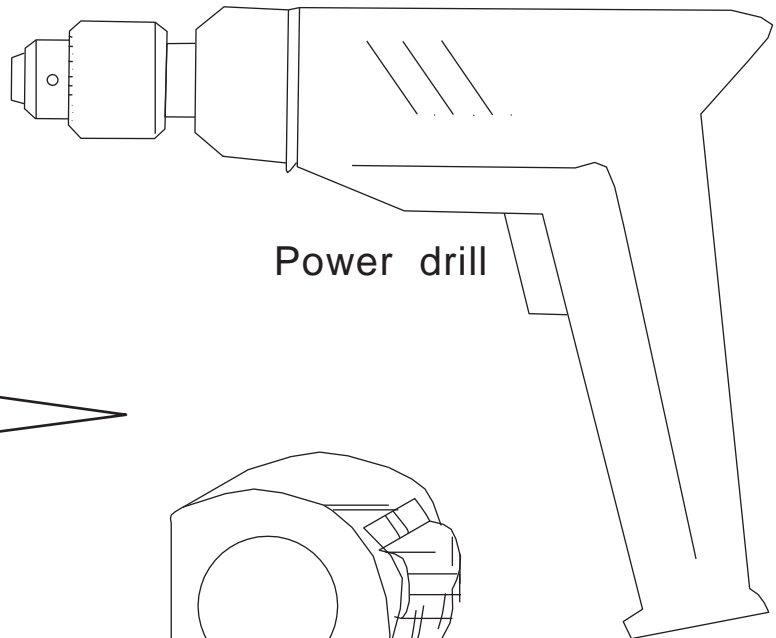
TOOLS REQUIRED(NOT SUPPLIED)

when you're ready to start,make sure that you have the following tools to hand,plenty of space and a clean dry area for assembly.

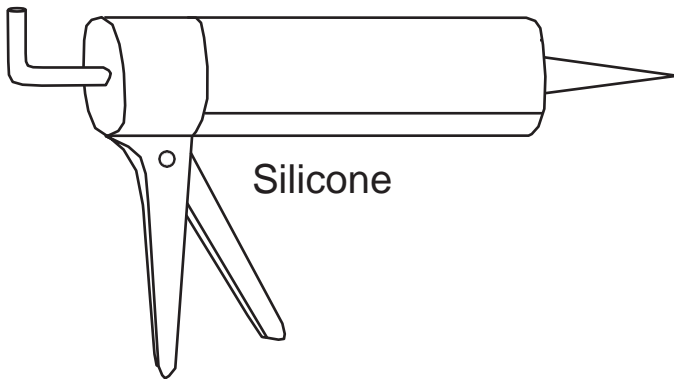
Two people are needed. Please note:although these instructions are comprehensive,We always recommend that a technically competent installer should undertake installation.



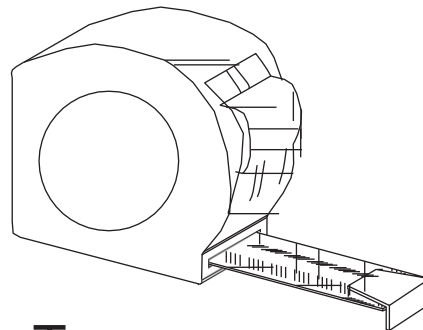
Drill bit for wall
5. 5mm



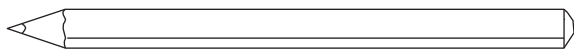
Power drill



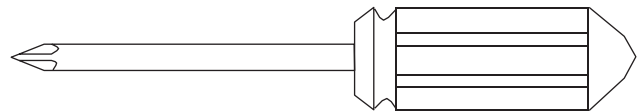
Silicone



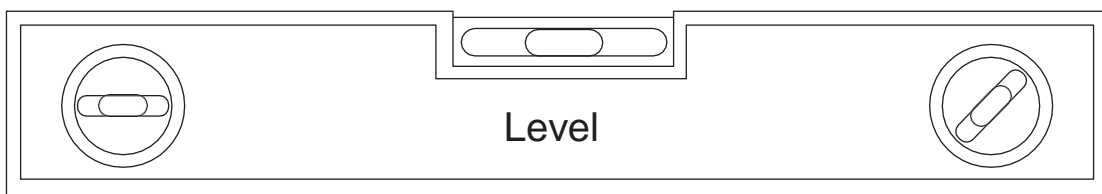
Tape measure



Pencil



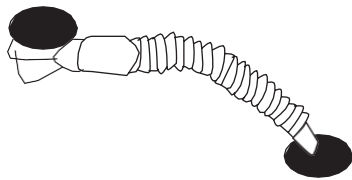
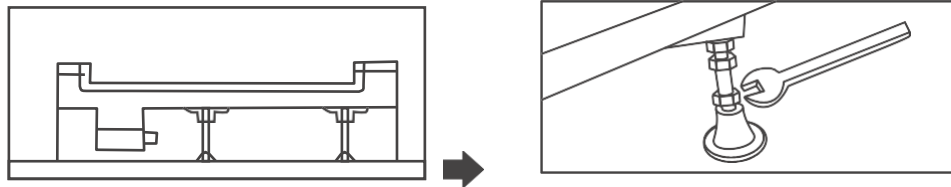
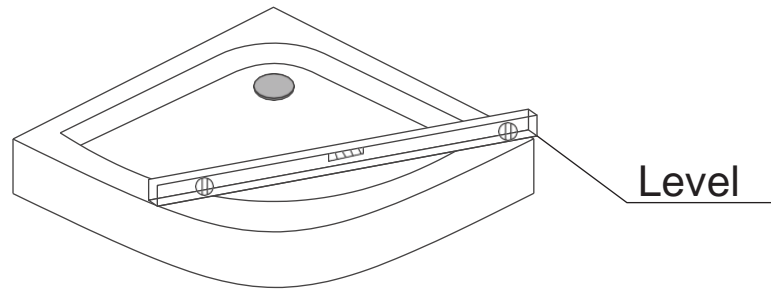
Magnetic cross head screw driver



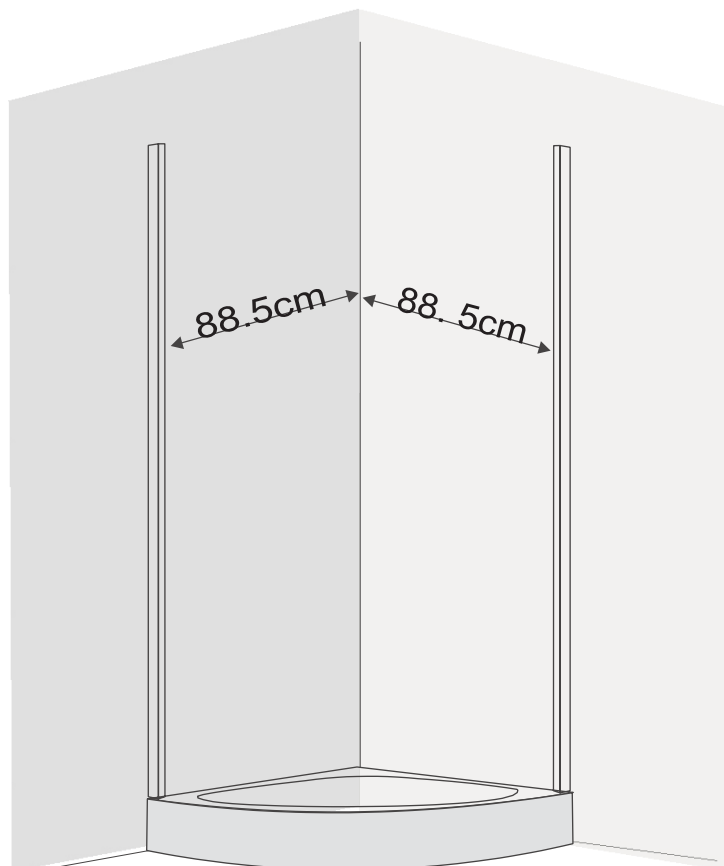
Level

SMART

Installation instructions

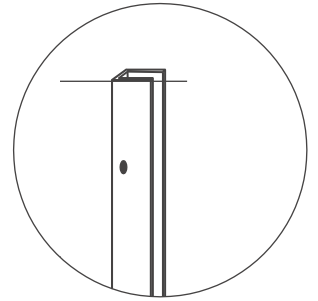
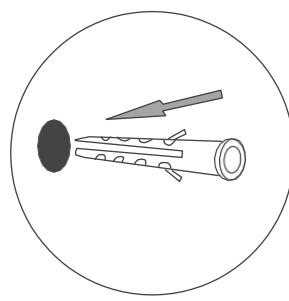
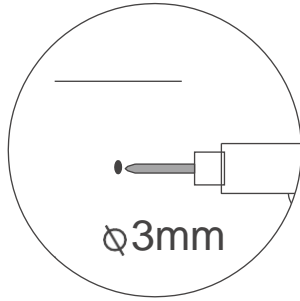
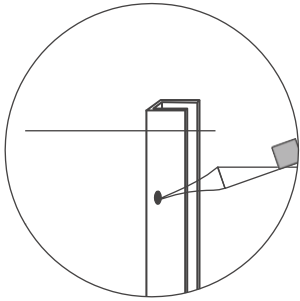


Lift the rear part of bottom basin, and then insert one end of the pipe into the drainage hole



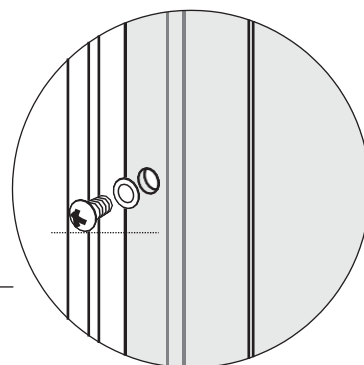
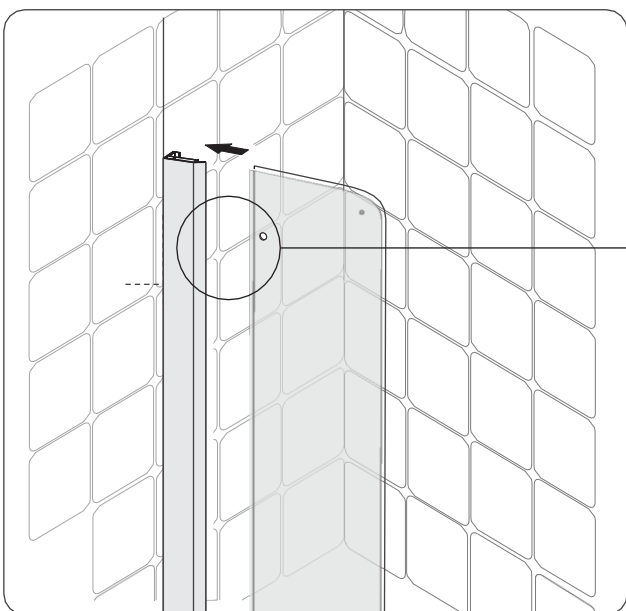
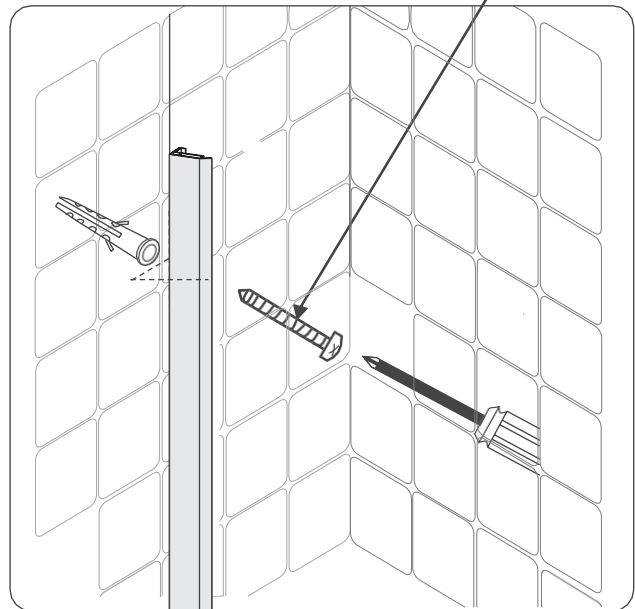
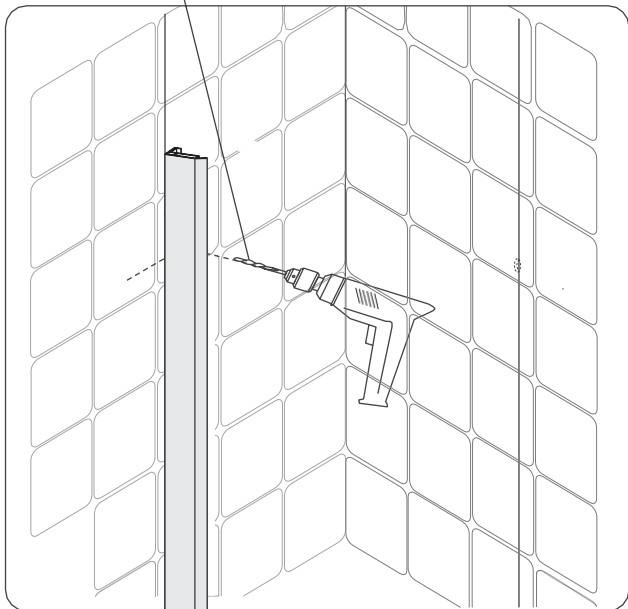
SMART

Installation instructions



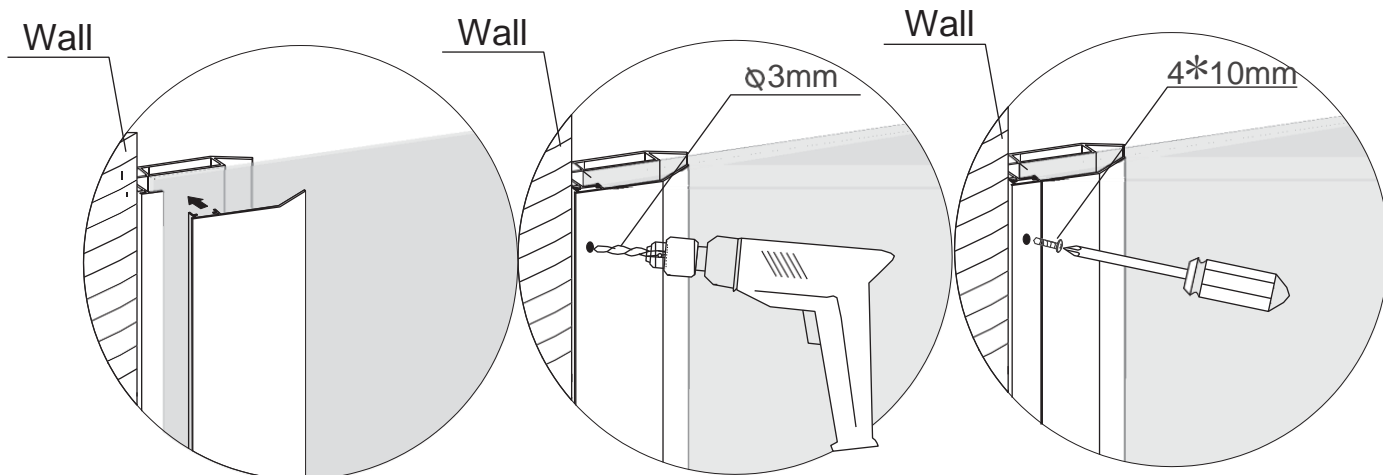
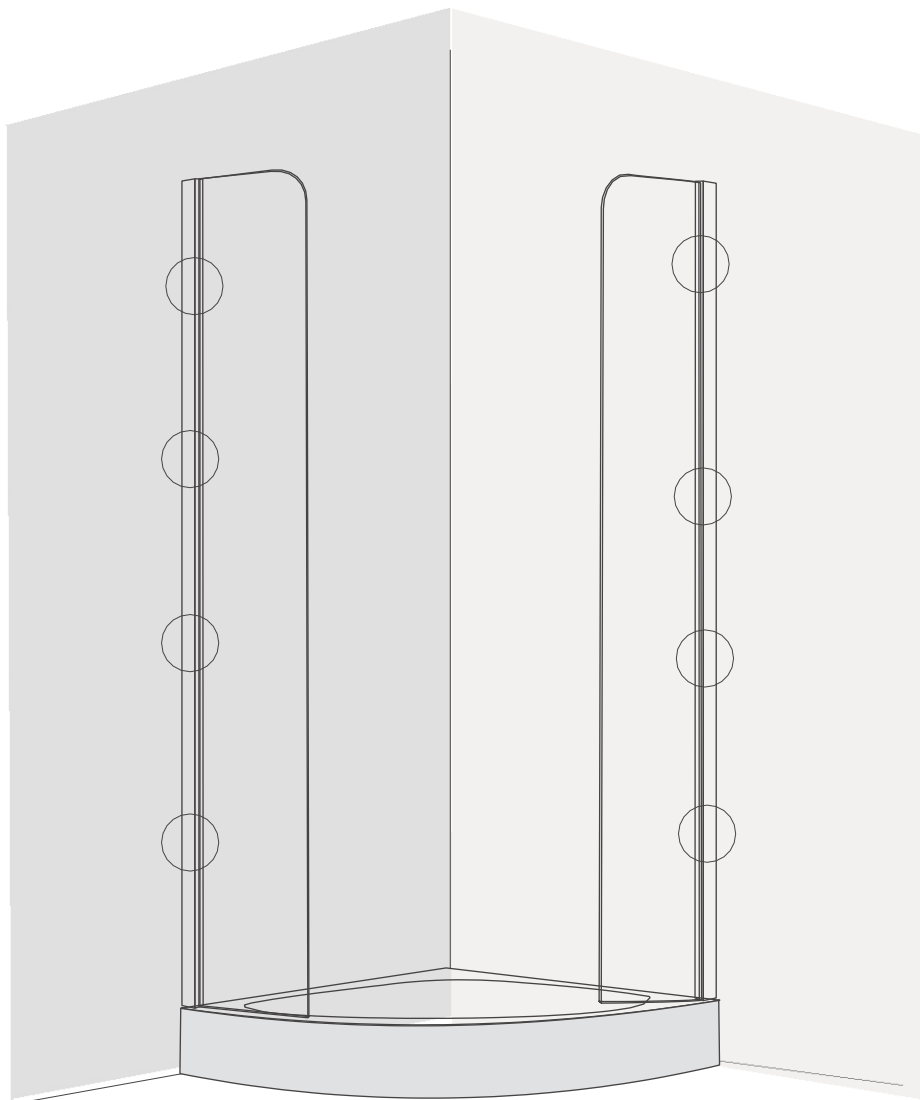
Ø3mm

4*25mm



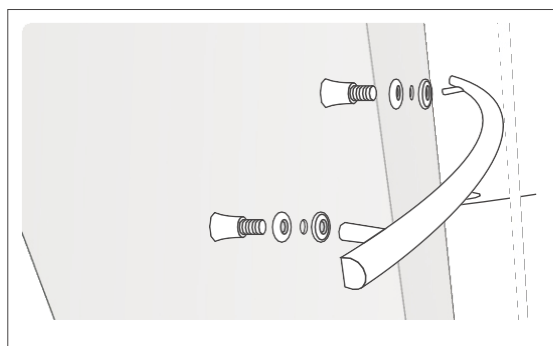
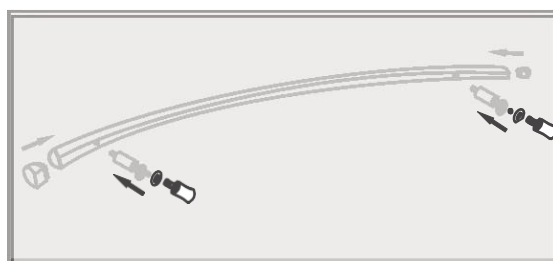
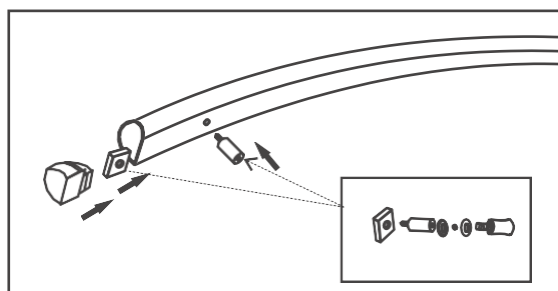
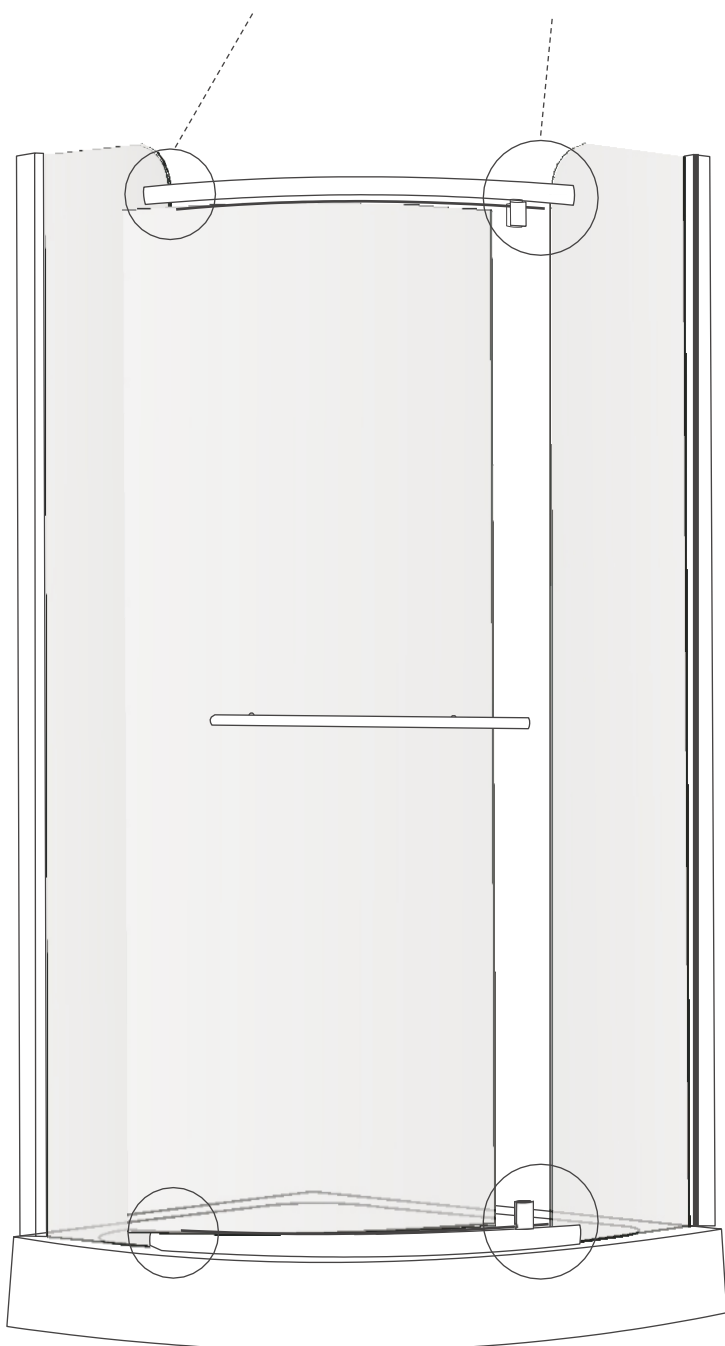
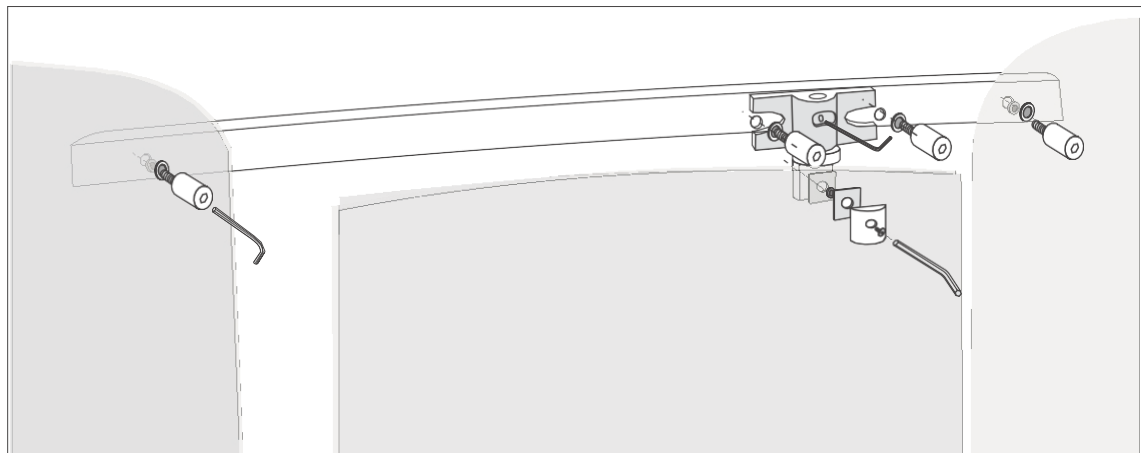
SMART

Installation instructions



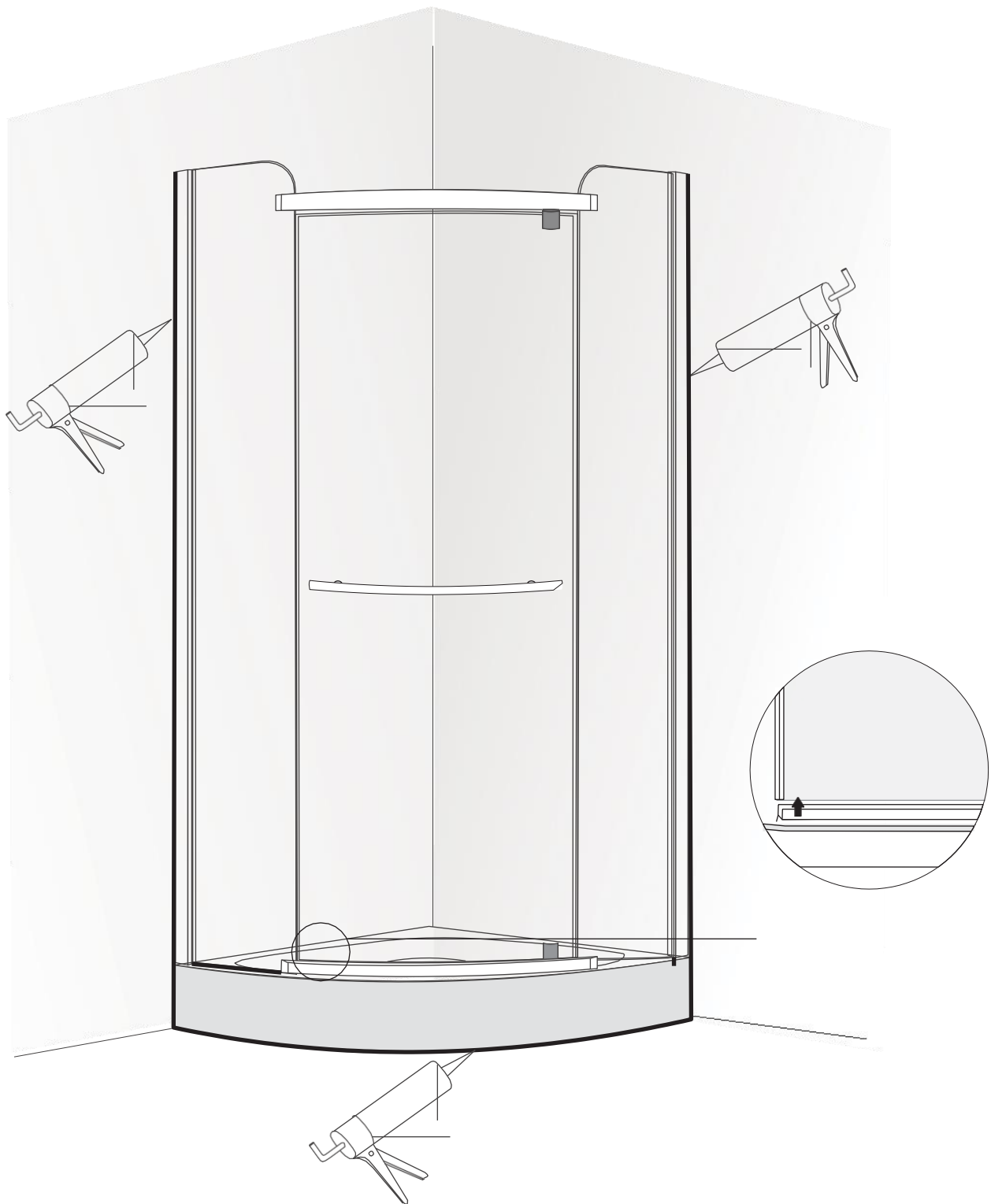
SMART

Installation instructions



SMART

Installation instructions



Warning: Don't use the shower enclosure until after at least 24 hours, so that the silicon can be totally dry.